



## Advanced Sealing Technology in Compact Two-Stage Design For the Most Reliable Engine Protection

The FPG Air Cleaner series is a two-stage engine air cleaner operating in medium to heavy dust conditions. The FPG series offers improved reliability and durability with reduced weight and costs.

Ever since Donaldson developed the first air cleaner in 1915, we have worked closely with original equipment manufacturers to provide filtration solutions to meet changing design and specification requirements for diesel engines.

Because they are made of injection molded high-strength plastic, FPG air cleaners offer the flexibility to overcome space limitations for underhood air cleaners. Donaldson employs innovative plastic materials and production techniques that result in air cleaners that are corrosion-free and lighter in weight than traditional metal air cleaners — yet without sacrificing sturdiness. Our extensive vibration testing reveals this to be a more durable design than most metal air cleaners.

The filter inside the air cleaner is also quite different from the traditional design: one-piece molded urethane endcaps encase the ends of the media and filter liners, eliminating the metal caps and plastisol potting compound that were traditionally used. The glued-on gasket found on Axial filters is gone — now, the inside surface of the open end is actually the RadialSeal™ sealing surface.



*Despite its compact size, the FPG Air Cleaner offers complete engine air protection — removing 99.9% of the dust and dirt particulate that enters the engine airstream.*



*FPG and FPG Alexin™ Air Cleaners, with RadialSeal™ Sealing Technology, provide thorough two-stage cleaning of incoming engine air on industrial and construction vehicles operating in medium to heavy dust environments.*

## Small, Durable and Corrosion-Free The Easiest Air Cleaner to Service!

### Applications

- Provides up to 346 cfm airflow per air cleaner — double throughput by using two units
- Installation can be horizontal, vertical, or even at an angle (as long as Vacuator™ Valve points down)
- Temperature tolerance: 180 °F / 83 °C sustained (Do not install next to turbocharger, muffler, exhaust pipes, or other high-temp component.)

### Ideal for

- Compressors and generator sets
- Construction and in-plant vehicles
- On- and off-highway vehicles
- Marine and offshore equipment

### Air Cleaner Features

- Easy to service. No tools needed. Usually done in 5 minutes or less.
- Durable plastic housing — corrosion-free and lightweight
- Two-stage air filtration. Built-in, tangential pre-cleaner ahead of primary filter removes up to 85% of incoming dust.
- Choose 90° or straight outlet to fit your application.
- Easy-to-fasten latches retain dust cup/cover. Four (larger) models have twist-off cover.
- Tapped to accept filter service indicator.
- A plastic inlet hood and stack (up to 18" /457mm tall) may be added.

### Filter Features

- Filters have RadialSeal™ Sealing Technology that creates a reliable, critical seal and makes servicing easy.
- One piece, molded urethane endcaps encase the filter media and liners.
- Safety filter protects engine during in-field filter change outs. All FPG models can accept safety filters. Specification table shows which air cleaner models ship with a safety filter installed.
- High efficiency, extended service, Donaldson Blue® filters are available on some models (see service parts list on page 133 for part numbers)

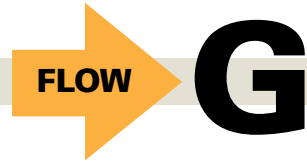


Try PowerPleat™ for the 5" see page 65.

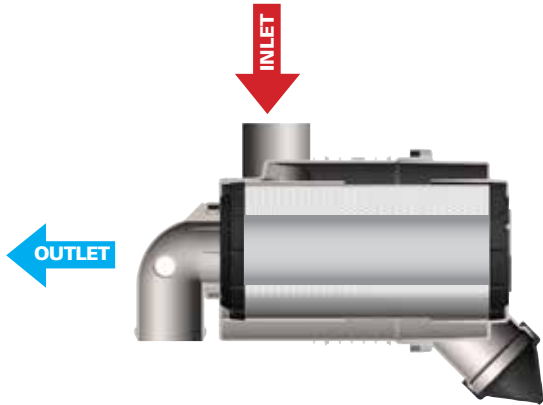


FPG Alexin™ 9" / 242 mm and 10" / 262mm dia. models available with the twist-off cover design





**Air in the Side, Out the End** (standard flow filters)



## When Selecting an Air Cleaner . . .

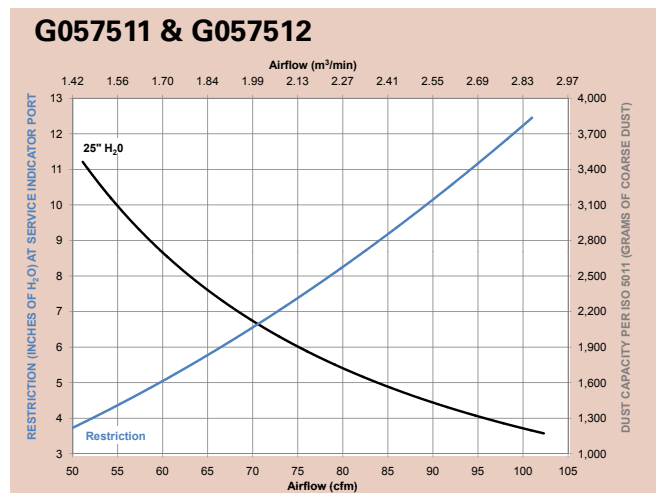
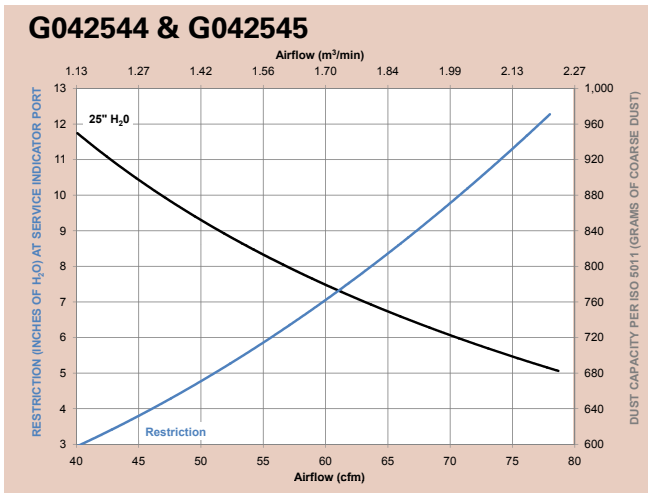
Determine the airflow requirements of your engine, then find the corresponding cfm airflow in the table at right. The restriction numbers (shown in inches of water) indicate the approximate initial restriction of each model air cleaner at that cfm. If there are two air cleaner models that fit your parameters, choosing the one with the lower restriction will provide longer filter service life. When calculating total initial restriction of the entire air intake system, include the restriction caused by ducting, elbows, and pre-cleaners. See pages 271-272 for ducting restriction estimates.

## Initial Airflow Restriction

Airflow CFM @ H <sub>2</sub> O			Air Cleaner Model	
6"	8"	10"	90°	Straight
<b>MODELS WITH PRIMARY FILTER ONLY</b>				
55	65	70	G042545	G042544
80	95	105	G057514	G057513
120	135	155	G065433	G065432
150	170	190	G070020	G070019
205	245	275	G082528	G082527
<b>MODELS WITH PRIMARY &amp; SAFETY FILTER</b>				
65	80	90	G057512	G057511
110	125	145	G065411	G065424
125	145	165	G070018	G070017
165	190	215	G082526	G082525
247	282	314	G100317 <sup>1</sup>	
259	297	328		G100319 <sup>1</sup>
265	300	335		G090225 <sup>1</sup>
256	317	346	G090219 <sup>1</sup>	

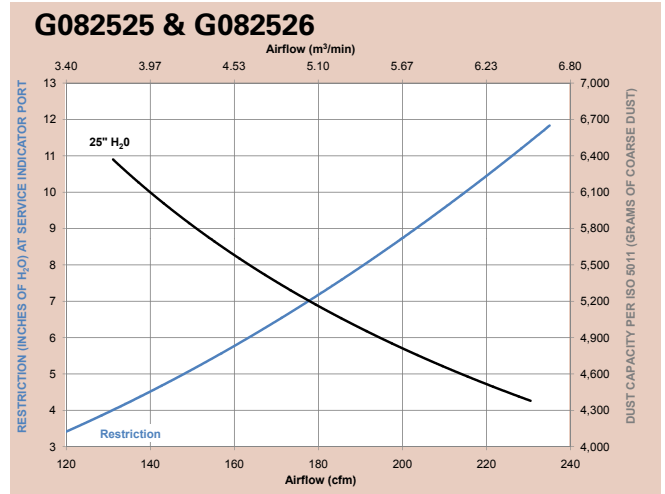
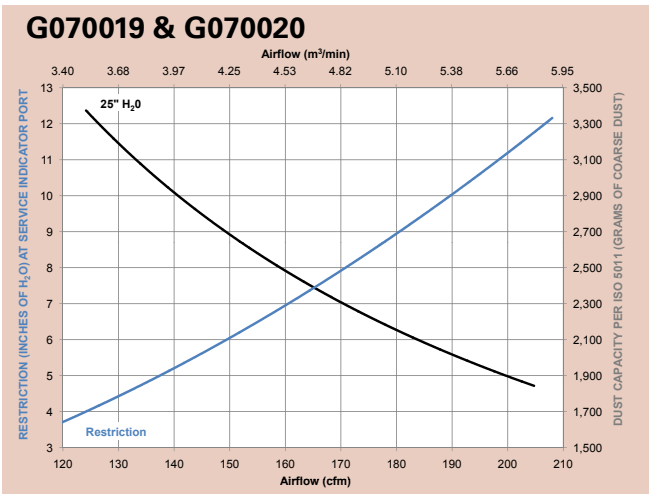
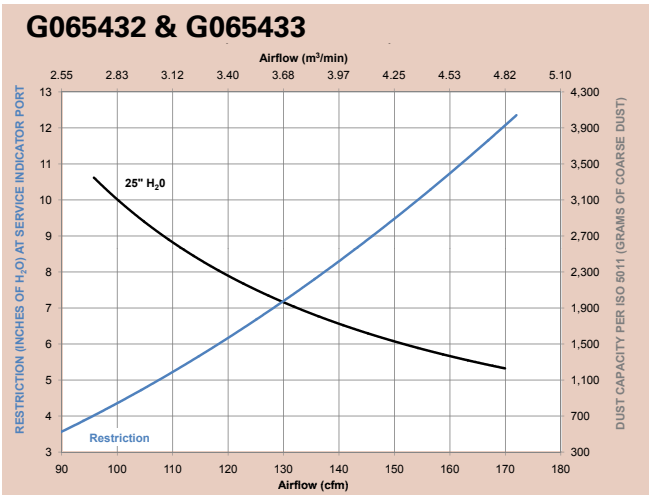
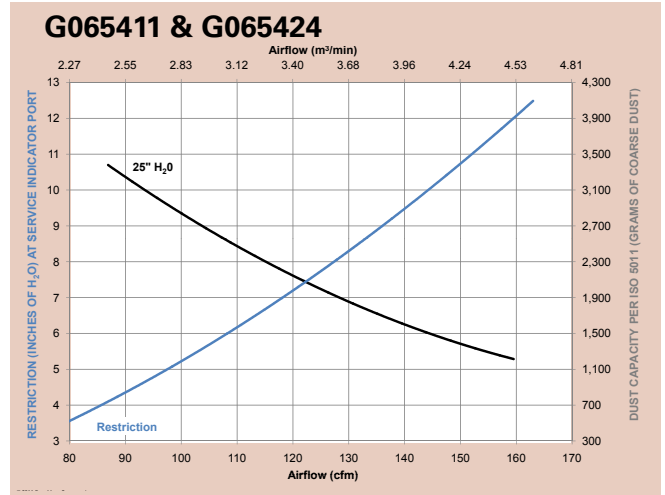
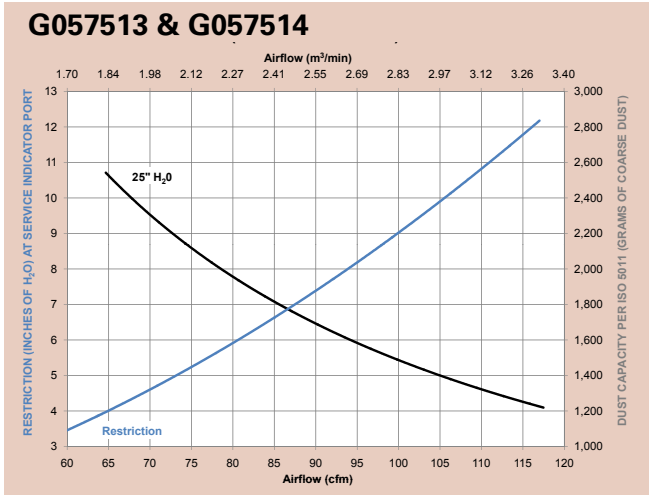
1 - Models with twist-off cover design (no latches)

## FPG Air Cleaner Performance Curves\*



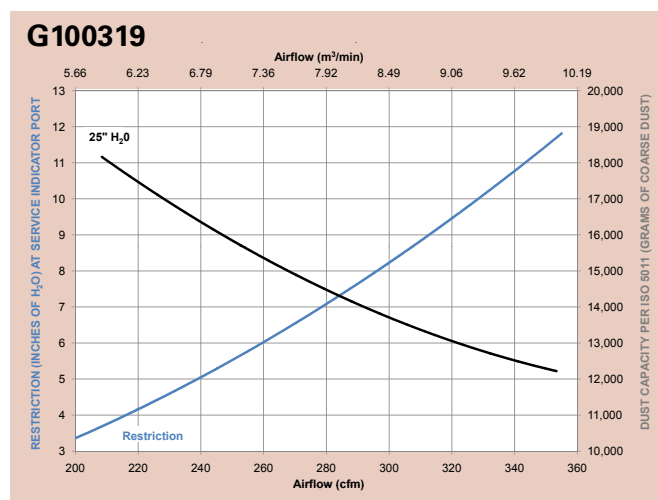
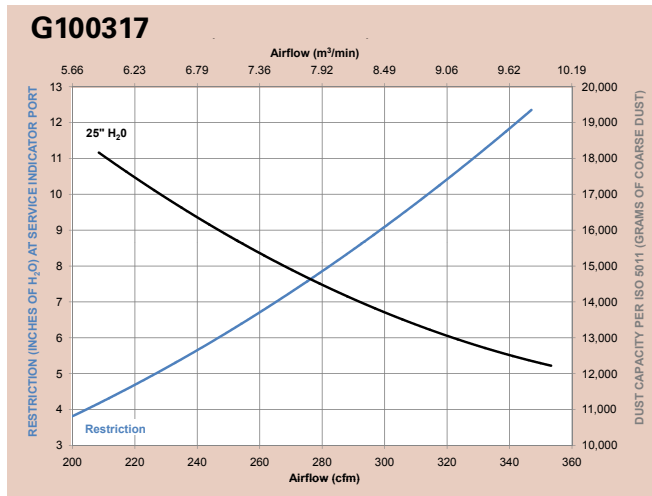
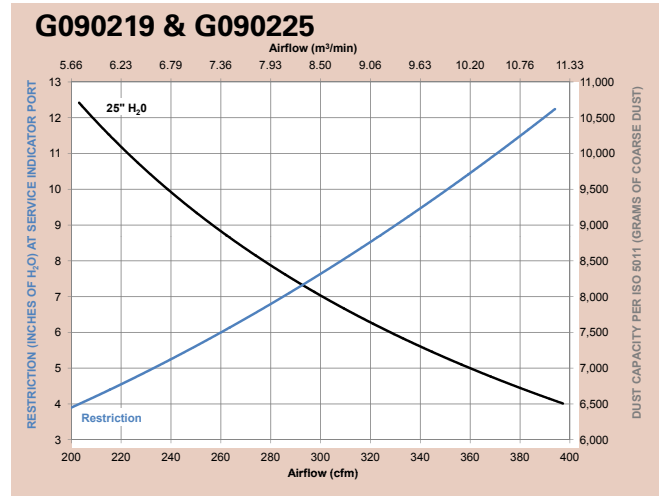
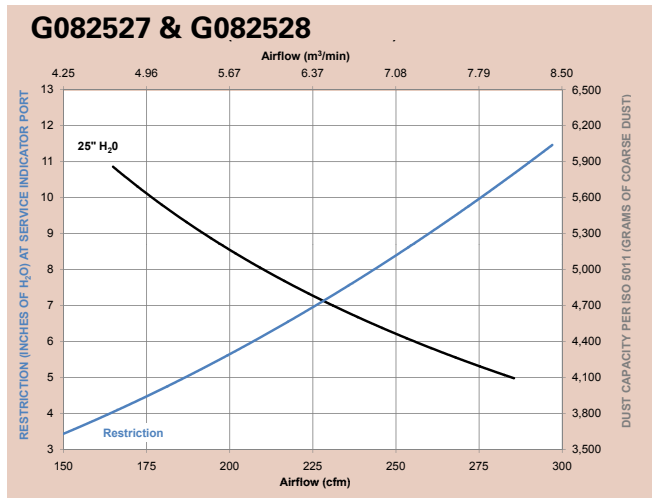
\*Results generated using laboratory testing pursuant to ISO5011. Actual performance during use may vary depending on multiple factors, including specific product configuration, external conditions and application.

continued — FPG Air Cleaner Performance Curves (Restriction & Dust Capacity)

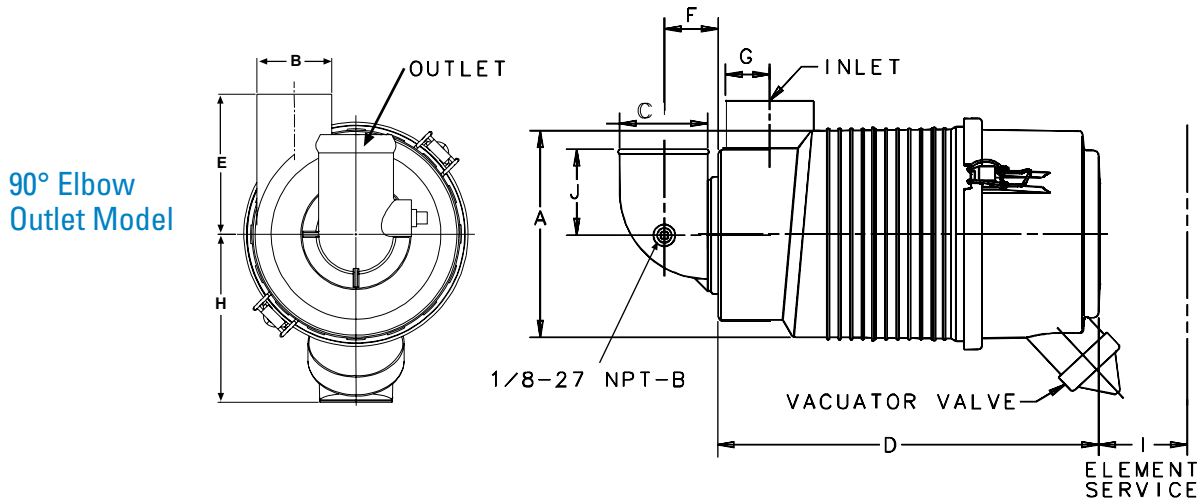




continued — FPG Air Cleaner Performance Curves (Restriction & Dust Capacity)



**FPG Specification Illustrations**



**FPG Specifications**

Air Cleaner Models	with Safety Filter?	Body Dia. (A)	Inlet Dia. (B)	Outlet Dia. (C)	Housing Length (D)	Inlet Height (E)	Outlet Length (F)	Inlet Location (G)	Center Line to Valve (H)	Service Clear. (I)	Weight lbs kg	Restr. Tap Loc. (J)
<b>MODELS WITH 90° ELBOW OUTLET TUBE</b>												
G042545	no	4.80" 122mm	1.75" 44mm	1.75" 44mm	7.45" 189mm	3.27" 83mm	1.23" 31mm	1.48" 38mm	3.96" 101mm	5.39" 137mm	1.3 lbs 0.6 kg	1.94" 48mm
G057512	yes	5.75" 146mm	2.00" 51mm	2.00" 51mm	10.96" 278mm	3.82" 97mm	1.36" 35mm	1.65" 42mm	4.66" 118mm	10.68" 271mm	2.5 lbs 1.1 kg	2.60" 66mm
G057514	no	5.75" 146mm	2.00" 51mm	2.00" 51mm	10.96" 278mm	3.82" 97mm	1.36" 35mm	1.65" 42mm	4.66" 118mm	7.95" 202mm	2.2 lbs 1.0 kg	2.60" 66mm
G065411	yes	6.74" 171mm	2.50" 64mm	2.50" 64mm	12.61" 320mm	4.41" 112mm	1.60" 41mm	1.70" 43mm	5.35" 136mm	12.24" 311mm	3.9 lbs 1.8 kg	3.06" 78mm
G065433	no	6.74" 171mm	2.50" 64mm	2.50" 64mm	12.61" 320mm	4.41" 112mm	1.60" 41mm	1.70" 43mm	5.35" 136mm	8.50" 216mm	3.5 lbs 1.6 kg	3.06" 78mm
G070018	yes	7.19" 183mm	3.00" 76mm	3.00" 76mm	13.09" 332mm	4.88" 124mm	1.88" 48mm	1.72" 44mm	5.45" 137mm	12.50" 318mm	4.3 lbs 1.9 kg	3.62" 92mm
G070020	no	7.19" 183mm	3.00" 76mm	3.00" 76mm	13.09" 332mm	4.88" 124mm	1.88" 48mm	1.72" 44mm	5.45" 137mm	8.87" 225mm	3.8 lbs 1.7 kg	3.62" 92mm
G082526	yes	8.35" 212mm	3.75" 95mm	3.50" 89mm	14.23" 361mm	5.43" 138mm	2.11" 54mm	2.11" 54mm	6.01" 153mm	13.91" 353mm	5.8 lbs 2.6 kg	4.13" 105mm
G082528	no	8.35" 212mm	3.75" 95mm	3.50" 89mm	14.23" 361mm	5.43" 138mm	2.11" 54mm	2.10" 53mm	6.01" 153mm	9.57" 243mm	5.2 lbs 2.3 kg	4.13" 105mm

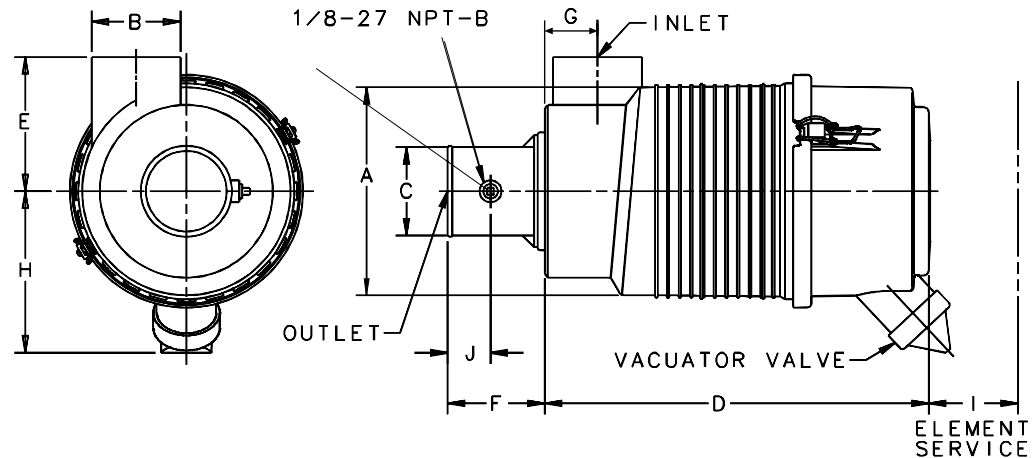
**Application Notes**

- 1) Safety filters: All FPG models can accept safety filters. This table shows which air cleaner models are shipped with a safety filter installed. If you want to add a safety filter to an existing model that did not originally have one, order the safety filter listed in the Service Parts table.
- 2) Mounting band specifications and ordering information are on page 131.
- 3) Inlet Accessories: A plastic inlet hood, a plastic TopSpin™ pre-cleaner, and/or a stack up to 18" (457mm) tall may be added to the inlet. See the Accessories section for information on optional inlet hoods and TopSpin pre-cleaners.
- 4) Service Indicators. See the Accessories section for information on filter service indicators.



## FPG Specification Illustrations

Straight  
Outlet Tube  
Model



## FPG Specifications

Air Cleaner Models	with Safety Filter?	Body Dia. (A)	Inlet Dia. (B)	Outlet Dia. (C)	Housing Length (D)	Inlet Height (E)	Outlet Length (F)	Inlet Location (G)	Center Line to Valve (H)	Service Clear. (I)	Weight lbs kg	Restr. Tap Loc. (J)
<b>MODELS WITH STRAIGHT OUTLET TUBE</b>												
G042544	no	4.80" 122mm	1.75" 44mm	1.75" 44mm	7.45" 189mm	3.27" 83mm	3.24" 82mm	1.48" 38mm	3.96" 101mm	5.39" 137mm	1.3 lbs 0.6 kg	1.88" 48mm
G057511	yes	5.75" 146mm	2.00" 51mm	2.00" 51mm	10.87" 276mm	3.82" 97mm	3.25" 83mm	1.65" 42mm	4.66" 118mm	10.68" 271mm	2.5 lbs 1.1 kg	1.88" 48mm
G057513	no	5.75" 146mm	2.00" 51mm	2.00" 51mm	10.87" 276mm	3.82" 97mm	3.25" 83mm	1.65" 42mm	4.66" 118mm	7.95" 202mm	2.2 lbs 1.0 kg	1.88" 48mm
G065424	yes	6.74" 171mm	2.50" 64mm	2.50" 64mm	12.61" 320mm	4.41" 112mm	3.23" 82mm	1.70" 43mm	5.35" 136mm	12.24" 311mm	3.9 lbs 1.8 kg	1.63" 41mm
G065432	no	6.74" 171mm	2.50" 64mm	2.50" 64mm	12.61" 320mm	4.41" 112mm	3.23" 82mm	1.70" 43mm	5.35" 136mm	8.48" 216mm	3.5 lbs 1.6 kg	1.63" 41mm
G070017	yes	7.19" 183mm	3.00" 76mm	3.00" 76mm	13.09" 332mm	4.88" 124mm	3.26" 83mm	1.72" 44mm	5.45" 138mm	12.50" 318mm	4.3 lbs 1.9 kg	1.88" 48mm
G070019	no	7.19" 183mm	3.00" 76mm	3.00" 76mm	13.09" 332mm	4.88" 124mm	3.26" 83mm	1.72" 44mm	5.45" 138mm	8.87" 225mm	3.8 lbs 1.7 kg	1.88" 48mm
G082525	yes	8.35" 212mm	3.75" 95mm	3.50" 89mm	14.23" 361mm	5.43" 138mm	3.27" 83mm	2.10" 53mm	6.01" 153mm	13.91" 353mm	5.8 lbs 2.6 kg	1.91" 49mm
G082527	no	8.35" 212mm	3.75" 95mm	3.50" 89mm	14.23" 361mm	5.43" 138mm	3.27" 83mm	2.10" 53mm	6.01" 153mm	9.57" 243mm	5.2 lbs 2.3 kg	1.91" 49mm

## Application Notes

- 1) Safety filters: All FPG models can accept safety filters. This table shows which air cleaner models are shipped with a safety filter installed. If you want to add a safety filter to an existing model that did not originally have one, order the safety filter listed in the Service Parts table.
- 2) Mounting band specifications and ordering information are on the next page.
- 3) Inlet Accessories: A plastic inlet hood, a plastic TopSpin™ pre-cleaner, and/or a stack up to 18" (457mm) tall may be added to the inlet. See the Accessories section for information on optional inlet hoods and TopSpin pre-cleaners.
- 4) Service Indicators. See the Accessories section for information on filter service indicators.

## Mounting Bands Designed Exclusively for the FPG Series

**WARNING:** Do not use any other mounting bands or straps with FPG air cleaners. Use of an unapproved mounting band voids warranty.

### Polymer Mounting Band

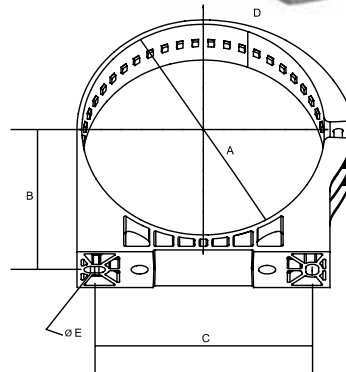
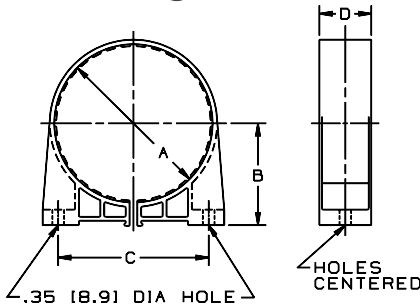
The one-piece, high tech polymer mounting band will securely hold the housing in position. The band has tabs on the inside circumference which fit exactly into notches on the FPG housing. Donaldson polymer bands are completely non-corrosive, lightweight, easy to install, and economical.

The band tightens around the air cleaner when the base of the band is bolted to a support, providing a fixed, stable mounting — even in high vibration applications.

Use on G04 and G05 FPG Air Cleaners.

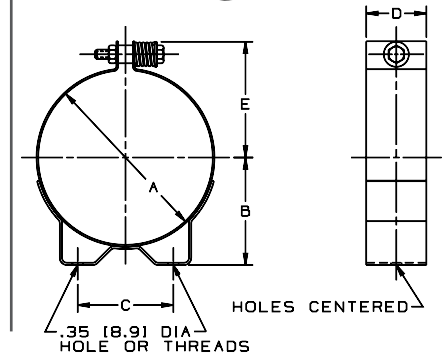


Use on G06-G10 FPG and Alexin Air Cleaners  
Bands have spring-loaded screws



### Metal Mounting Band

The metal mounting band has a spring-loaded bolt at the top to maintain a constant hold on the housing throughout high and low temperature extremes.



### Maximum Torque

Polymer Bands:  
11 lbs-ft / 14.8 N•m

Metal Bands:  
12 lbs-ft / 16.2 N•m

### Application Note:

To accommodate even hard-to-fit applications, polymer bands allow the air cleaner housings to be rotated and positioned at various increments, depending upon the size:

Housing Diameter	Increment
4.80" (122mm)	11°
5.75" (146mm)	10°
6.74" (171mm)	7.5°
7.19" (183mm)	7.5°
8.35" (212mm)	5°

### FPG Mounting Bands (Order one band per FPG air cleaner)

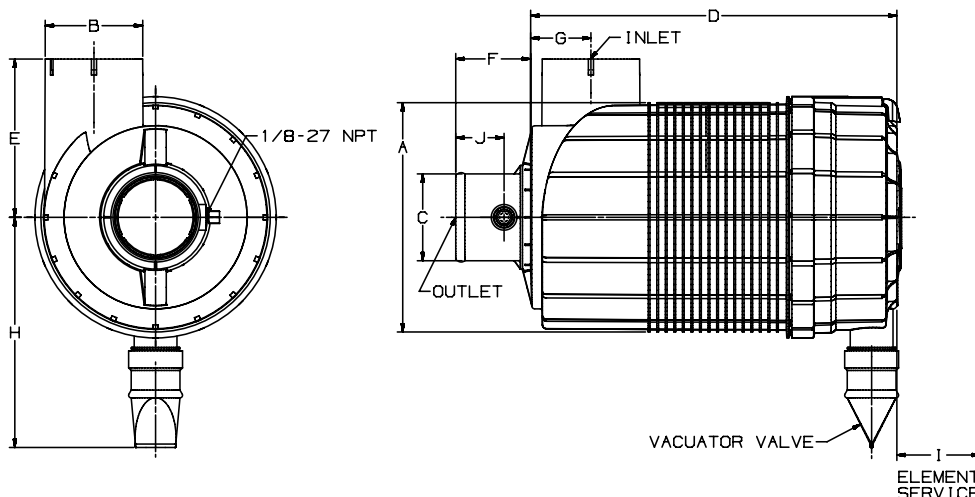
Part Number	A		B		C		D		E		Weight	
	in	mm	in	mm	in	mm	in	mm	in	mm	lbs	kg
<b>POLYMER BANDS</b>												
P777151	4.80	122	3.09	79	4.56	116	1.57	40	n/a		0.26	118
P777730	5.75	146	3.52	90	5.35	136	1.99	51	n/a		0.37	167
P778810 <sup>1</sup>	6.79	173	3.94	100	6.00	154	1.99	51	n/a		0.40	182
P777731 <sup>1</sup>	7.17	182	4.11	105	6.50	165	1.99	51	n/a		0.45	206
P777732 <sup>1</sup>	8.35	212	4.70	120	7.48	190	1.99	51	n/a		0.56	253
P780532 <sup>1</sup>	9.48	241	5.47	136	5.63	143	1.99	51	n/a			
P780594 <sup>1</sup>	10.55	268	5.90	150	5.63	143	3.15	80	n/a			
<b>METAL BANDS</b>												
H008442	4.80	122	3.07	78	2.76	70	1.57	40	3.34	85	0.70	317
H008443	5.75	146	3.54	90	3.15	80	1.99	51	3.83	97	1.30	590
H008441 <sup>2</sup>	6.79	173	3.94	100	3.54	90	1.99	51	4.35	111	1.40	635
H008444	6.79	173	3.94	100	3.54	90	1.99	51	4.35	111	1.40	635
H002070	7.19	183	4.09	104	3.74	95	1.99	51	4.55	116	1.50	680
H002023	8.35	212	4.72	120	4.33	110	1.99	51	5.14	131	1.60	726

1 - Mounting bands (with spring-loaded screws) for FPG09 and FPG10 models with twist-off cover  
2 - Model H008441 has 8mm threads





## Alexin™ Twist-Off Cover Model



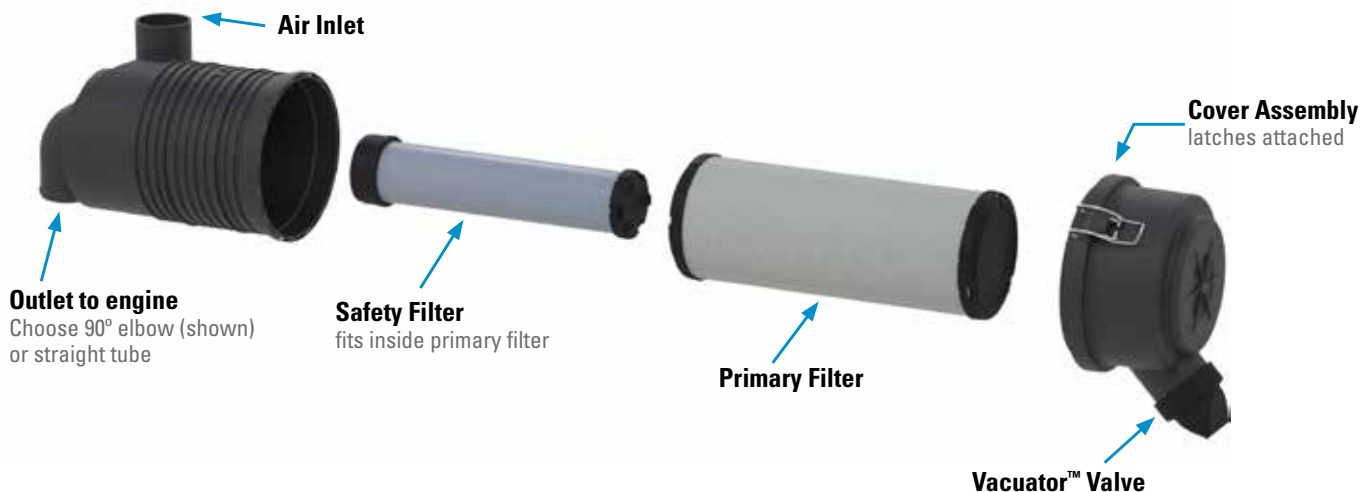
### FPG ALEXIN™

Air Cleaner Models	with Safety Filter?	Body Dia. (A)	Inlet Dia. (B)	Outlet Dia. (C)	Housing Length (D)	Inlet Height (E)	Outlet Length (F)	Inlet Location (G)	Center Line to Valve (H)	Service Clear. (I)	Weight lbs kg	Restr. Tap Loc. (J)
<b>FPG ALEXIN™ MODELS WITH TWIST-OFF COVER (90° AND STRAIGHT OUTLET TUBES)</b>												
G090219 <sup>1</sup>	yes	9.53" 242mm	4.50" 114mm	3.50" 89mm	15.75" 400mm	6.69" 170mm	2.11" 54mm	2.42" 62mm	10.44" 260mm	12.79" 325mm	8.8 lbs 4.0 kg	4.13" 105mm
G100317 <sup>1</sup>	yes	10.55" 268mm	4.50" 114mm	4.00" 102mm	16.85" 428mm	7.28" 185mm	2.37" 60mm	2.85" 73mm	10.60" 269mm	13.98" 355mm	11.1 lbs 5.1 kg	4.72" 120mm
G090225 <sup>2</sup>	yes	9.53" 242mm	4.50" 114mm	4.00" 102mm	15.75" 400mm	6.69" 170mm	3.43" 87mm	2.42" 62mm	10.04" 260mm	12.79" 325mm	8.7 lbs 3.9 kg	2.22" 57mm
G100319 <sup>2</sup>	yes	10.55" 268mm	4.50" 114mm	4.00" 102mm	16.85" 428mm	7.28" 185mm	3.45" 88mm	2.85" 73mm	10.60" 269mm	13.98" 355mm	10.9 lbs 4.9 kg	2.22" 57mm

1 - FPG Alexin Models with 90° outlet tube

2 - FPG Alexin models with straight outlet tube

### FPG Service Parts



## FPG Service Parts & Accessories



<b>G042544 &amp; G042545 FPG</b>	
Cover	P533685 .....8
Filter, primary	P822686 .....3
Filter, safety	P535396 .....4
Informer™ indicator 25" H <sub>2</sub> O	X002277
Inlet hood, plastic	H002068
Latch	P538928
Mounting bands, metal	H008442
Mounting Bands, plastic	P777151
Outlet band clamp	P115200
Vacuator™ Valve	P522958

<b>G057511 &amp; G057512 FPG</b>	
Cover	P533761 .....8
Elbow, 45°	P105541
Elbow, 90°	P105529
Filter, primary	P821575 .....3
Filter, safety	P822858 .....3
Informer™ indicator 25" H <sub>2</sub> O	X002277
Inlet hood, plastic	H001377
Latch	P538928
Mounting bands, metal	H008443
Mounting Bands, plastic	P777730
Outlet band clamp	P148337
Vacuator™ Valve	P522958

<b>G057513 &amp; G057514 FPG</b>	
Cover	P533761 .....8
Elbow, 45°	P105541
Elbow, 90°	P105529
Filter, primary	P821575 .....3
Filter, safety	P822858 .....4
Informer™ indicator 25" H <sub>2</sub> O	X002277
Inlet hood, plastic	H001377
Latch	P538928
Mounting bands, metal	H008443
Mounting Bands, plastic	P777730
Outlet band clamp	P148337
Vacuator™ Valve	P522958

<b>G065411 &amp; G065424 FPG</b>	
Cover	P539422 .....8
Elbow, 45°	P105543
Elbow, 90°	P105531
Filter, primary	P822768 .....3
Filter, safety	P822769 .....3
Informer™ indicator 25" H <sub>2</sub> O	X002277
Inlet hood, plastic	H001378
Latch	P538928
Mounting bands, metal	H008441 or H008444
Mounting Bands, plastic	P778810
Outlet band clamp	P148339
Vacuator™ Valve	P158914

<b>G065432 &amp; G065433 FPG</b>	
Cover	P539422 .....8
Elbow, 45°	P105543
Elbow, 90°	P105531
Filter, primary	P822768 .....3
Filter, safety	P822769 .....4
Informer™ indicator 25" H <sub>2</sub> O	X002277
Inlet hood, plastic	H001378
Latch	P538928
Mounting bands, metal	H008441 or H008444
Mounting Bands, plastic	P778810
Outlet band clamp	P148339
Vacuator™ Valve	P158914

<b>G070017 &amp; G070018 FPG</b>	
Cover	P536202 .....8
Elbow, 45°	P105544
Elbow, 90°	P105532
Elbow, 90° reducing	P123462
Filter, primary-Donaldson Blue®	DBA5225
Filter, primary	P827653 .....3
Filter, safety	P829332 .....3
Hump hose	P105608
Informer™ indicator 25" H <sub>2</sub> O	X002277
Inlet hood, plastic	H001379
Latch	P538928
Mounting bands, metal	H002070
Mounting Bands, plastic	P777731
Outlet band clamp	P148341
Vacuator™ Valve	P158914

<b>G070019 &amp; G070020 FPG</b>	
Clamp	P003951
Cover	P536202 .....8
Elbow, 45°	P105544
Elbow, 90°	P105532
Elbow, 90° reducing	P123462
Filter, primary-Donaldson Blue®	DBA5225
Filter, primary	P827653 .....3
Filter, safety	P829332 .....4
Hump hose	P105608
Informer™ indicator 25" H <sub>2</sub> O	X002277
Inlet hood, plastic	H001379
Latch	P538928
Mounting bands, metal	H002070
Mounting Bands, plastic	P777731
Outlet band clamp	P148341
Vacuator™ Valve	P158914

<b>G082525 &amp; G082526 FPG</b>	
Cover	P534048 .....8
Elbow, 45°	P109331
Elbow, 90°	P114318
Filter, primary-Donaldson Blue®	DBA5227
Filter, primary	P828889 .....3
Filter, safety	P829333 .....3
Hump hose	P114319
Informer™ indicator 25" H <sub>2</sub> O	X002277
Inlet hood, plastic	H000466
Latch	P538928
Mounting bands, metal	H002023
Mounting Bands, plastic	P777732
Outlet band clamp	P148342
Vacuator™ Valve	P158914

<b>G082527 &amp; G082528 FPG</b>	
Clamp	P102025
Cover	P534048 .....8
Elbow, 45°	P109331
Elbow, 90°	P114318
Filter, primary-Donaldson Blue®	DBA5227
Filter, primary	P828889 .....3
Filter, safety	P829333 .....4
Hump hose	P114319
Informer™ indicator 25" H <sub>2</sub> O	X002277
Inlet hood, plastic	H000466
Latch	P538928
Mounting bands, metal	H002023
Mounting Bands, plastic	P777732
Outlet band clamp	P148342
Vacuator™ Valve	P158914

<b>G090219 &amp; G090225* FPG</b>	
Cover	P780524
Elbow, 45°	P105545
Elbow, 90°	P105533
Elbow, 90° reducing	P121482
Filter, primary-Donaldson Blue®	DBA5226
Filter, primary	P780522
Filter, safety	P780523 .....3
Hump hose	P105609
Informer™ indicator 25" H <sub>2</sub> O	X002277
Inlet hood, metal	H000170
Inlet hood, plastic	H000468
Mounting Bands, plastic	P780532 .....10
Outlet band clamp	P148343
Vacuator™ Valve	P776008

<b>G100317 &amp; G100319* FPG</b>	
Cover	P780578
Elbow, 45°	P105545
Elbow, 90°	P105533
Elbow, 90° reducing	P121482
Filter, primary-Donaldson Blue®	DBA5228
Filter, primary	P781039
Filter, safety	P777639 .....3
Hump hose	P105609
Informer™ indicator 25" H <sub>2</sub> O	X002277
Inlet hood, metal	H000170
Inlet hood, plastic	H000468
Mounting Bands, plastic	P780594 .....10
Outlet band clamp	P148343
Vacuator™ Valve	P776008

### NOTES:

- 3 = Shipped with air cleaner initially
- 4 = Safety filter is designed to fit this air cleaner, but was not originally shipped with it (note that adding a safety filter will decrease the maximum airflow throughput)
- 8 = Cover assembly includes latches but no Vacuator™ Valve
- 10 = This air cleaner requires two mounting bands

Donaldson Blue® = High Efficiency, Extended Service

\* = FPG Alexin models with twist off cover design (no latches)



## UL Listed Air Cleaners

### UL Listed FPG Air Cleaners

Air Cleaner Size	Part Number	Primary Element	Secondary Element	Outlet Tube Type
FPG04	G042547	P831520	–	Straight
FPG04	G042549	P831520	–	90°
FPG05	G057517	P831424	–	Straight
FPG05	G057516	P831424	–	90°
FPG06	G065427	P532410	–	Straight
FPG06	G065426	P532410	–	90°
FPG07	G070070	P535770	P542711	Straight
FPG07	G070026	P535770	–	Straight
FPG07	G070027	P535770	–	90°
FPG08	G082731	P604996	P604997	Straight
FPG08	G080599	P604996	–	Straight
FPG08	G082710	P604996	P604997	90°
FPG08	G082755	P604996	–	90°



### What is UL?



UL is an American worldwide safety consulting and certification company. It maintains offices in 46 countries, and was established in 1894.

UL most notably aided in the public adoption of electricity. It now has hundreds of standards covering a wide range of products.

UL has certified that the Donaldson air cleaners listed in the table above meet specifications for UL558, which covers the fire safety aspects of industrial trucks with internal combustion engines. These air cleaners have been specifically verified as backfire defectors.

Please contact Donaldson for UL Listed FPG Air Cleaner availability.

This servicing information is provided as a best practices guide. It is not intended to replace or supersede the service instructions supplied by your engine or vehicle manufacturer.

## 1 Check the Restriction

Replace the filter only when the restriction level has reached the maximum recommended by the engine or equipment manufacturer or on a regular service schedule.



## 2 Clean Out the Vacuator™ Valve

If your air cleaner is equipped with a Vacuator™ Valve, visually check and physically squeeze it. Make sure the valve is flexible and not inverted, damaged or plugged.



## 3 Remove the Primary filter

Shut off the engine. Unfasten or unlatch the service cover. For the FPG Alexin™ models, the cover is unlocked with a yellow "finger," twisted to the left and removed from the filter housing.

The RadialSeal™ filter fits tightly over the outlet tube and there will be some initial resistance, similar to breaking the seal on a jar. Gently move the end of the filter back and forth to break the seal, then rotate while pulling straight out. Avoid knocking the filter against the housing.



## 4 Visually Check the Safety Filter and Clean Both Surfaces of the Outlet Tube

If your air cleaner has a safety filter, visually check it while in place for signs of damage. Do not remove the safety filter unless it is damaged or due for replacement. Also verify that the safety filter is properly seated in the housing.

The safety filter should be replaced every three primary filter changes. Use a clean damp cloth to wipe both the filter sealing surface and the inside of the outlet tube. Ensure that the outlet tube sealing area is undamaged.

Contaminant on the sealing surface could hinder an effective seal and cause leakage. If the safety filter is to be replaced, avoid leaving the outlet tube exposed to the air. If there is to be a delay in installing the new safety filter, cover the air cleaner outlet tube to avoid admitting any dust.



Continued on next page



## 5 Inspect the Old Filter

Inspect the old filter for any signs of leaks. A streak of dust on the clean side of the filter is a telltale sign. Eliminate any source of air leaks before installing the new primary filter.

## 6 Inspect the New Filter

Inspect the new filter for any damage that may have occurred through mishandling. NEVER install a damaged filter. Visually check the inside of the open end, which is the sealing area.

Do not wipe the filter RadialSeal™ sealing area. Donaldson RadialSeal™ filters have an invisible dry lubricant on the seal to aid installation.



## 7 Insert the New Filter

First, if you're servicing the safety filter at this change-out, seat it properly into position before installing the primary filter. Insert new filters carefully. Seat the primary filter by hand, making certain it is inserted completely into the air cleaner housing. To complete a tight seal, apply pressure by hand at the outer rim of the filter, not the flexible center.

No cover pressure is required to hold the seal in place and you should NEVER use the service cover to apply pressure. This could damage the housing and fasteners and void the warranty. If the service cover presses against the filter before the cover is fully in place, remove the cover. With the cover off, push the filter farther into the air cleaner by hand and then the cover will go on with no extra force. Once the filter is in place, secure the service cover.

For FPG Alexin™ models, twist the cover to the right until it stops, then push the yellow "finger" in to lock.



*If you perform filter maintenance service on a schedule versus using service indicators, you may want to write the service date on the end cap of both filters.*

## 8 Check Connectors for Tight Fit

Make sure service indicators are reset and in proper working order. Check that all mounting bands, clamps, bolts, and connections in the entire air cleaner system are tight. Check for holes in piping and repair or replace as needed. Any leaks in the intake piping will admit dust directly to the engine. Reset the filter service indicator.

