



Technical Data

- Operating pressure up to 6 MPa (60 bar)
- Static pressure testing up to 6 MPa (60 bar).
- Operating temperature -20 +120°C.
- Compatibility with hydraulic fluids per ISO 2943.
- Flow rate and pressure drop determined per ISO 3968 with oil kinematic viscosity 30 cSt at 40°C and density 0,875 kg/dm³.
- Aluminum alloy head and bowl.

Filter Elements

- Wire mesh: 60 micron.
- Collapse resistance 2 MPa (20 bar) per ISO 2941.



Components

		WIRE MESH MEDIA			CARTRIDGE CODE
		/6			
		60µm			
Family	RMF	Complete Filter	Sparepart		
LC140	30	K020200	P171706	CM140	

RMF = Recommended Maximum Flow in liters/minute with use of standard housing.
Not possible to install an indicator of this filter.

Installation & Service Guidelines



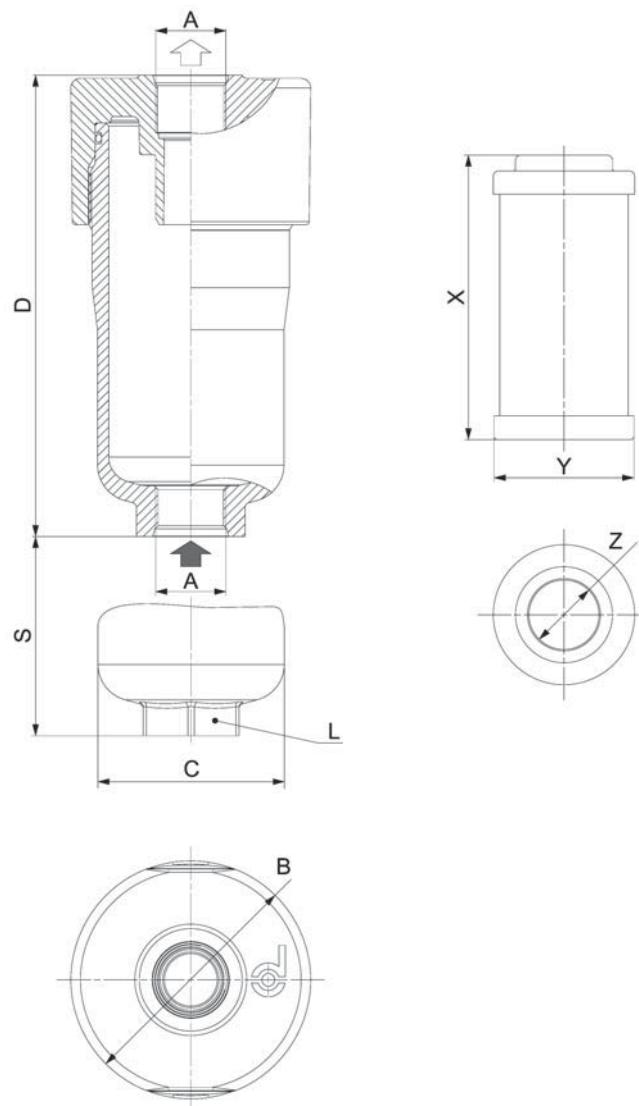
Important

- The filter head snout must be lubricated before spinning on a new filter to prevent thread damage. Heavyweight gear lube is recommended.
- Oil the O-Rings before assembly.

HOUSING DIMENSIONS					
A	B	C	D	L	S
	mm	mm	mm	mm	mm
M22x1,5	75	58	145	HEX30	100

CARTRIDGE DIMENSIONS		
X	Y	Z
mm	mm	mm
44	91	23

POSSIBLE INDICATOR
none



Performance Curves

