



Donaldson Delivers

HYDRAULIC SERVICE PARTS & ACCESSORIES GUIDE

Low Pressure • Medium Pressure • High Pressure • Accessories • Off-line Filtration



Donaldson Delivers Performance Under Any Pressure!

Clean dry oil is essential for your equipment. Donaldson Company, a leader in filtration for over 100 years, has proven performance in thousands of applications - offering the industry's largest selection of replacement hydraulic, lube and gear oil filtration products for contamination control.

Selecting the Proper Hydraulic Filter

Sensitive hydraulic circuits are vulnerable to a variety of contaminants that result in inefficiency, downtime and excessive repair costs. It is important to remember that effective contamination control will assist in the protection of sensitive components within a circuit.

With the broad range of housing styles and filters available from Donaldson, how do you choose the right filter to reliably protect your systems and equipment? Follow these recommended steps to identify the correct Donaldson filter and parts required for efficient contamination control.

Contact Donaldson for assistance with filter selection.

- 1. Determine the system operating pressure and flow rate**

Start by identifying two key factors in the hydraulic system operating environment for the most critical component being protected, such as pumps and motors.

 - nominal and maximum operating pressure
 - nominal and maximum flow rate
- 2. Select the filter housing model**

Select the filter housing that meets your requirements.

 - Pressure families are colour coded for low, medium and high models
 - Housing styles are identified by spin-on, in-tank or in-line
 - Porting type options – refer to each model series for details
- 3. Consider the application factors when selecting the filter**

After the appropriate housing is identified, other application factors must be considered when selecting the appropriate filter. For assistance contact Donaldson.

• components being protected	• flow rate (gpm/lpm)
• ISO Code desired	• maximum allowable pressure drop
• fluid type and material compatibility	• efficiency / beta rating
• oil viscosity (SUS/cSt) & temperature	• seal options
• vibration/cyclic flow surges	• standard vs. high-performance filters
• media type	• servicing and installation convenience
- 4. Choose the appropriate line and reservoir accessories**

Items such as breathers, suction strainers, and gauges are important parts of an overall hydraulic system.

 - Refer to the Accessories Section for more information
- 5. On-going contamination control practices**

To optimize system performance and lengthen component life, new oil should be filtered before being transferred into a reservoir or system. Monitor the condition of fluids and identify wear and contamination with regular fluid analysis.

This catalogue contains our most popular Australian hydraulic filter range and accessories. The flow rates shown are the maximum for that assembly and will be influenced by, without being limited to, pressure, temperature, contamination, fluid type and viscosity.

Please contact Donaldson for assistance with filter specification.

To replace an existing filter cartridge or element, please use our cross reference system shop.donaldson.com

Overview..... 4

Hydraulic System Components..... 4

Low Pressure Filters..... 6

SP 15/25..... 6

FBK 60/80..... 7

SP50/60 80/90..... 8

FBK120/200..... 9

FIK..... 10

Service Indicators..... 10

Medium Pressure Filters..... 11

W041..... 11

HMK03..... 12

HMK04/24..... 13

HMK05/25..... 14

Service Indicators..... 15

High Pressure Filters..... 16

FPK02..... 16

HPK03..... 17

HPK04..... 18

HPK05..... 19

Service Indicators..... 19

Accessories..... 20

Suction Strainers, Diffuser..... 20

T.R.A.P.™ Breathers..... 21

Sight Glasses..... 22

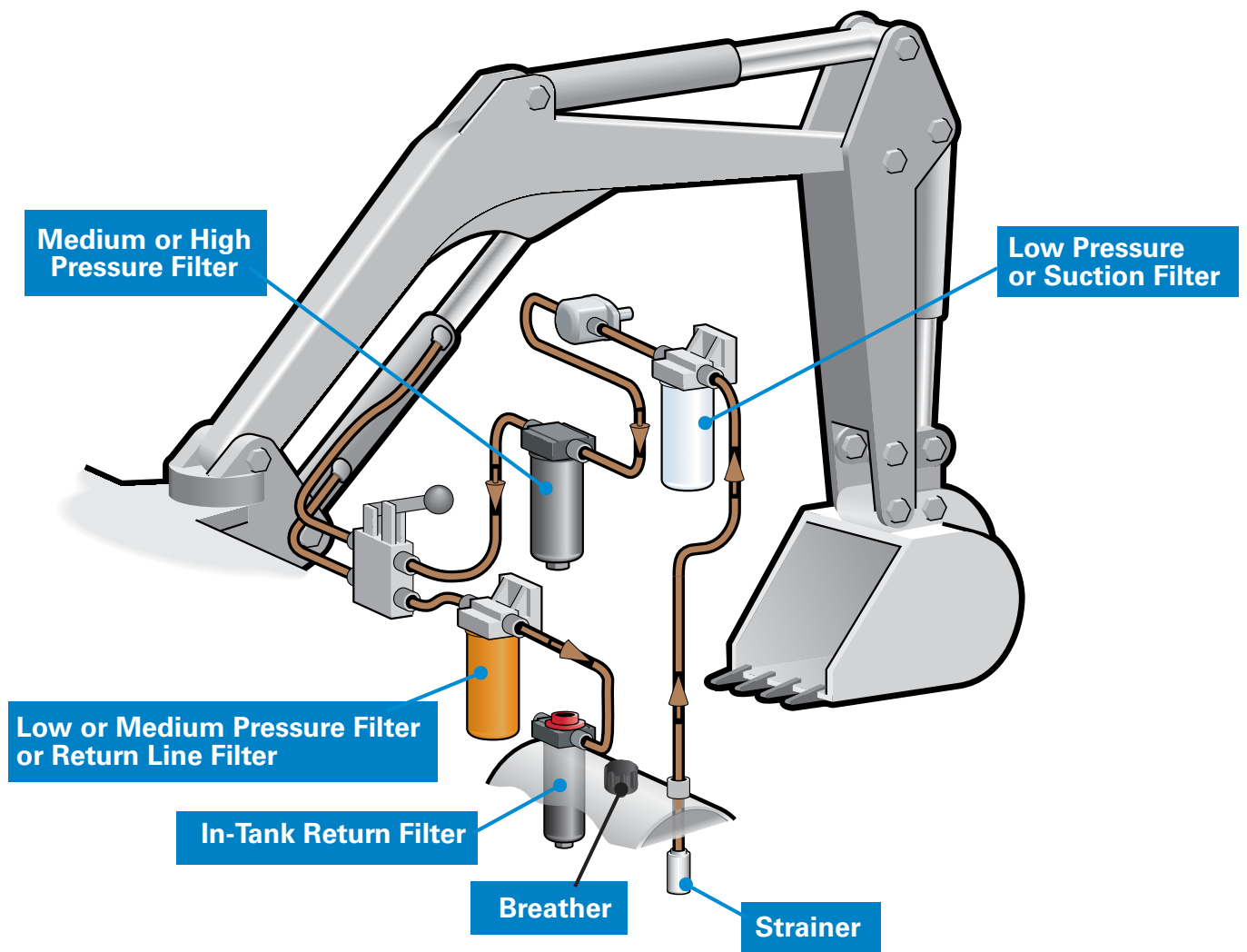
Level Temperature Gauges..... 22

Kits & Accessories..... 22

The Best Solutions for Clean, Dry Oil.

Count on Donaldson to have the right filters, contamination control products and services to protect critical components in hundreds of applications - in the factory and on heavy-duty mobile equipment.

When you need hydraulic filtration, Donaldson delivers.



Full-Product Range

The industry's largest selection of in-stock filters and accessories - manufactured with consistent, high-quality performance.

Expert Technical Support

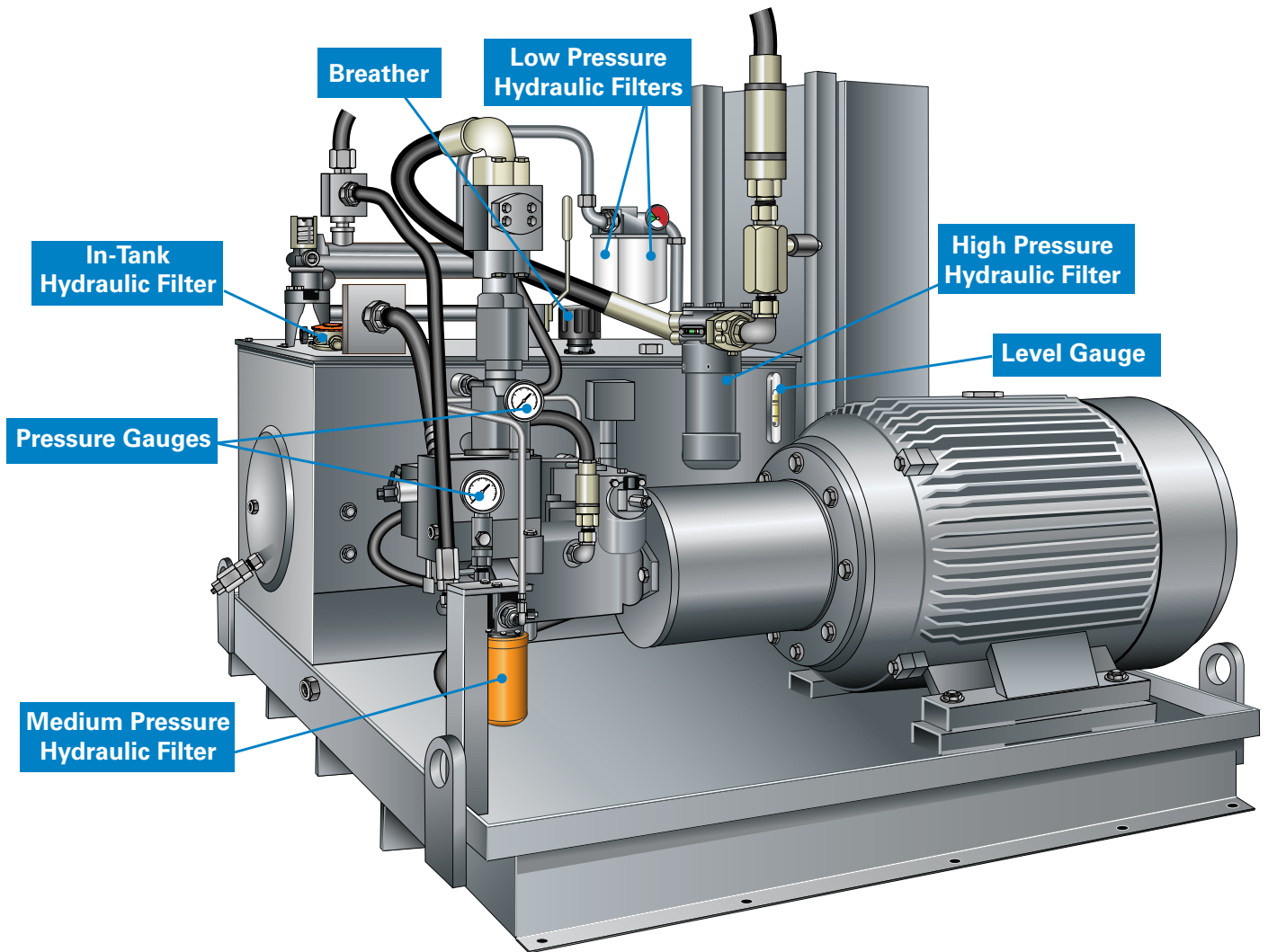
Prompt, accessible and knowledgeable customer service experts.

High-Performance Filtration

Increase dirt-holding capacity and lower pressure drop (ΔP) with Donaldson high performance DT filters.

Performance Under Any Pressure

- Low, medium and high pressure filtration
- Spin-on, cartridge and in-tank style filters
- Hydraulic line and reservoir accessories
- T.R.A.P.™ reservoir breather technology



Off-Line Filtration

Filter carts, portable filter units

Water Removal

Systems and products designed to prevent water ingress and remove entrained water.

Mobile & Fixed Applications

Filtration options to suit different installation types.

Low Pressure Filtration

Donaldson low pressure filters are economical, and offer spin-on convenience and sizes to cover different flow rates and fluid types. With a wide range of cleanliness ratings available using Donaldson's exclusive Syntec synthetic, cellulose, wire mesh and water absorbing filter medias, they are suitable for many applications with pressure requirements of up to 150psi (1035kPa).

LOW PRESSURE FILTERS

Maximum Working Pressures to:	150psi 1035 kPa 10.3 bar
Rated Static Burst to:	375 psi 2590 kPa 25.9 bar
Flow Range to:	114 lpm



SP15/25 Head Assemblies

Port Size	Bypass Rating	Gauge/Indicator Port	Gauge/Indicator Options	Part Number
3/4" NPT	25 psi / 172 kPa / 1.72 bar	Yes both side	Visual, Electrical	P561131
3/4" NPT	25 psi / 172 kPa / 1.72 bar	No		P561134
SAE-12 O-ring	25 psi / 172 kPa / 1.72 bar	No		P561141

SP15/25 Spin-on Filters

Filter Media	Micron Rating	Length (mm)	Length (in)	Part Number
Synteq™	6µm @ β1000	136	5.35	P564967
Synteq™	6µm @ β1000	200	7.87	P564357
Synteq™	11µm @ β1000	136	5.35	P560693
Synteq™	11µm @ β1000	200	7.87	P179089
Synteq™	23µm @ β1000	136	5.35	P560694
Cellulose	23µm @ β200	136	5.35	P551551
Cellulose	23µm @ β200	200	7.87	P565059
Cellulose	32µm @ β200	136	5.35	P551553
Cellulose	32µm @ β200	200	7.87	P565060
Wire mesh	150µm	136	5.35	P550274
SAP	Water Absorb	136	5.35	P565062

Note: Seal material - Buna-N®

Maximum Working Pressures to: 145psi
1005 kPa
10 bar

Rated Static Burst to: 217.5 psi
1500 kPa
15 bar

Flow Range to: 80 lpm



FBK60/80 Head Assemblies

Port Size	Bypass Rating	Gauge/Indicator Port	Gauge/Indicator Options	Part Number
3/4" BSPP	25 psi / 172 kPa / 1.72 bar	Plug both sides	Visual / Electrical	P175017
3/4" BSPP	None	Visual left side	Fitted	P765584

FBK60/80 Spin-on Filters

Filter Media	Micron Rating	Length (mm)	Length (in)	Part Number
Synteq	11µm @ β1000	146	5.75	P171602
Synteq	11µm @ β1000	209	8.23	P171608
Synteq	23µm @ β1000	146	5.75	P171604
Synteq	23µm @ β1000	209	8.23	P171609
Cellulose	36µm @ β1000	146	5.75	P550268
Cellulose	36µm @ β1000	209	8.23	P171610
Cellulose	50µm @ β1000	146	5.75	P171606
Cellulose	50µm @ β1000	209	8.23	P171611
Wire Mesh	60µm	146	5.75	P171607
Wire Mesh	60µm	209	8.23	P171612

Note: Seal material - Buna-N®

Maximum Working Pressures to: 150psi
 1035 kPa
 10.3 bar

Rated Static Burst to: 250 psi
 1725 kPa
 17.2 bar

Flow Range to: SP50/60 227 lpm
 SP80/90 379 lpm



LOW PRESSURE FILTERS

SP50/60 Head Assemblies

Port Size	Bypass Rating	Gauge/Indicator Port	Gauge/Indicator Options	Part Number
1 1/4" NPT	25 psi / 172 kPa / 1.72 bar	Yes, both sides	Visual / Electrical	P576557
1 1/4" NPT	No bypass	Yes, both sides	Visual / Electrical	P576558
SAE-20	25 psi / 172 kPa / 1.72 bar	Yes, both sides	Visual / Electrical	P576564
SAE-20	No bypass	Yes, both sides	Visual / Electrical	P576565
Mounting Bracket - Stainless steel 5mm x 50mm, 135mm x 135mm				P506158

SP80/90 Dual Head Assembly

Port Size	Bypass Rating	Gauge/Indicator Port	Gauge/Indicator Options	Part Number
1 1/2" NPT & 2" SAE 4 Bolt	25 psi / 172 kPa / 1.72 bar	Yes, both sides	Visual / Electrical	P563274

SP50/60 - SP80/90 Spin-on Filters

Filter Media	Micron Rating	Length (mm)	Length (in)	Part Number
Synthetic	6µm @ β1000	170	6.7	P167162
Synthetic	6µm @ β1000	271	10.7	P165762
Synthetic	11µm @ β1000	170	6.7	P165875
Synthetic	11µm @ β1000	271	10.7	P165876
Synthetic	23µm @ β1000	170	6.7	P165877
Synthetic	23µm @ β1000	271	10.7	P165878
Cellulose	23µm @ β200	170	6.7	P550388
Cellulose	23µm @ β200	271	10.7	P550251
Cellulose	32µm @ β200	170	6.7	P550387
Cellulose	32µm @ β200	271	10.7	P550252
Synthetic	50µm @ β1000	170	6.7	P165879
Synthetic	50µm @ β1000	271	10.7	P165880
Wire mesh	150µm	170	6.7	P550275
Wire mesh	150µm	271	10.7	P550276
SAP	Water Absorb	271	10.7	P561183

Note: Seal material - Buna-N®

Maximum Working Pressures to: 145psi
1005 kPa
10 bar

Rated Static Burst to: 217.5 psi
1500 kPa
15 bar

Flow Range to: 200 lpm



FBK160/200 Head Assemblies

Port Size	Bypass Rating	Gauge/Indicator Port	Gauge/Indicator Options	Part Number
1 1/4" BSPP	25 psi/172 kPa/1.72 bar	Top (pressure)	Visual / Electrical	P761314
1 1/4" BSPP	No bypass	Both sides (suction)	Visual / Electrical	P173403
1 1/4" BSPP	No bypass	Top (pressure) & Both sides (suction)	Visual / Electrical	P506139
Mounting Bracket - Stainless steel 5mm x 50mm, 135mm x 135mm				P506158

FBK160/200 Spin-on Filters

Filter Media	Micron Rating	Length (mm)	Length (in)	Part Number
Synthetic	11µm @ β1000	181	7.1	P171613
Synthetic	11µm @ β1000	226	8.9	P171618
Synthetic	23µm @ β1000	181	7.1	P171614
Synthetic	23µm @ β1000	226	8.9	P171619
Cellulose	36µm @ β1000	181	7.1	P550148
Cellulose	36µm @ β1000	226	8.9	P171620
Cellulose	50µm @ β1000	181	7.1	P171616
Cellulose	50µm @ β1000	226	8.9	P171621
Wire mesh	60µm	181	7.1	P171617
Wire mesh	60µm	226	8.9	P171622
SAP	Water Absorb	286	11.2	P579099

Note: Seal material - Buna-N®

Maximum Working Pressures to: 145psi
1000 kPa
10 bar

Rated Static Burst to: 217 psi
1500 kPa
15 bar

Flow Range to: 639 lpm



LOW PRESSURE FILTERS

FIK In-Tank Assemblies

Port Size	Mounting Hole ID	Depth Below Surface	Fow range to	Part Number	Supplied with 36um Filter	Bypass Rating
SAE-12 Oring *	80.6mm	93mm	53lpm	K040811	P171527	22psi / 1.5 bar
SAE-16 Oring	80.6mm	143mm	86lpm	K040812	P171533	22psi / 1.5 bar
1"BSP	90mm	149mm	100lpm	K040503	P171533	22psi / 1.5 bar
SAE-20 Oring	129.5mm	221mm	177lpm	K051204	P171539	22psi / 1.5 bar
1 1/4" BSP *	129.5mm	226mm	120lpm	K051118	P171539	22psi / 1.5 bar
SAE-24 Oring	173.6mm	245mm	248lpm	K070248	P171557	22psi / 1.5 bar
2" SAE 4 Bolt Flange	173.6mm	439mm	639lpm	K070250	P171581	22psi / 1.5 bar

* No indicator port

FIK In-Tank Replacement Filters

Filter Media	Micron Rating	K040811	K040812, K040503	K051204 K051118	K070248	K070250
Synthetic	11um @ β1000	p171525	P171531	P171537	P171555	P171579
Synthetic	23um @ β1000	P171526	P171532	P171538	P171556	P171580
Cellulose	36um @ β1000	P171527	P171533	P171539	P171557	P171581
Wire mesh	60um	P171529	P171535	P171541	P171559	P171583

Note: Seal material - Buna-N®

Indicators

Indicator	Setting	Where used	Seal / Connection	Part Number
Visual	0-100 psi colour coded gauge	SP15/25, 50/60*, 80/90	1/8" NPT	P579716
Visual	17 psi / 117 kPa / 1.17 bar	SP50/60 New style	9/16"-18 UNF	P575334
Electric	5-30 psi / 34-206 kPa/0.34-2.06 bar adjustable	SP15/25, 50/60, 80/90	1/8" NPT	P563978
Visual	17 psi / 117 kPa / 1.17 bar	FBK, FIK	1/8" BSP	P171958
Visual	-1 to 5 bar colour coded gauge stem mount	FBK	1/8" BSP	P171953
Visual	-1 to 3 bar colour coded gauge rear mount	FBK	1/8" BSP	P171954
Electric	22 psi / 152 kPa / 1.52 bar	FBK, FIK	1/8" BSP	P171966

*Requires gauge adapter. Part Number: 2157400, install upstream for pressure applications

Medium Pressure Filtration

Medium pressure filters are designed for a variety of applications with working pressures up to 1000psi (6895kPa). Donaldson offers both spin-on and cartridge style filters.

The W041 housings are base mounted and top accessed for service, and have a range of high performance synthetic filters available in a selection of micron ratings.

The robust and dependable Duramax range provides spin-on convenience and high performance. A wide variety of filters of differing cleanliness ratings are available using Donaldson's exclusive Syntec synthetic, cellulose, wire mesh and water absorbing filter medias.

Maximum Working Pressures to: 500 psi
3450 kPa
34.5 bar

Rated Static Burst to: 1500 psi
10,342 kPa
103.5 bar

Flow Range to: 1135 lpm



MEDIUM PRESSURE FILTERS

W041 Housing Assembly

Port Size	Bypass Rating	Gauge/Indicator Port	Gauge/Indicator Options	Part Number
2 1/2" SAE 4 bolt, code 61	Adjustable from no bypass to 50 psi / 3450 kPa / 3.45 bar	Machined and plugged	Visual, vis/elec combo	P574219

W041 In-line Cartridge Filters

Filter Media	Micron Rating	Length (mm)	Length (in)	Part Number
DT Media	5um @ B1000	964	37.94	P566255
DT Media	8um @ B1000	964	37.94	P566256
DT Media	12um @ B1000	964	37.94	P566257
DT Media	23um @ B1000	964	37.94	P566258
SAP	Water Absorb	964	37.94	P578277

Note: Seal material - Epoxy potting and Viton®

Maximum Working Pressures to:	1000 psi 6895 kPa 69 bar
Rated Static Burst to:	2000 psi 13,790 kPa 138 bar
Flow Range to:	95 lpm



HMK03 Head Assemblies

Port Size	Bypass Rating	Gauge/Indicator Port	Gauge/Indicator Options	Part Number
SAE-12 O-Ring	50 psi / 345 kPa / 3.45 bar	None	Electric	P170773
SAE-12 O-Ring	50 psi / 345 kPa / 3.45 bar	Visual Left side	Electric	P179460
SAE-12 O-Ring	No Bypass	None	Electric	P170327

HMK03 Spin-on Filters

Filter Media	Micron Rating	Length (mm)	Length (in)	Part Number
Synteq	6um @ β 1000	140	5.5	P170308
Synteq	6um @ β 1000	242	9.5	P170309
Synteq	11um @ β 1000	140	5.5	P170310
Synteq	11um @ β 1000	242	9.5	P170311
Synteq	23um @ β 1000	140	5.5	P170312
Synteq	23um @ β 1000	242	9.5	P170313

Note: Seal material - Buna-N®

Maximum Working Pressures to:	500 psi 3450 kPa 35 bar
Rated Static Burst to:	1000 psi 6895 kPa 69 bar
Flow Range to:	HMK04 133 lpm HMK24 227 lpm



HMK04 Single Filter Head

Port Size	Bypass Rating	Gauge/Indicator Port	Gauge/Indicator Options	Part Number
3/4" BSPP	25 psi / 172 kPa / 1.72 bar	Left side	None	P766295
3/4" NPT	25 psi / 172 kPa / 1.72 bar	Left side	None	P169310
SAE-12 O-Ring	25 psi / 172 kPa / 1.72 bar	Left side	None	P166387
SAE-12 O-Ring	No Bypass	Left side	None	P169320
1" BSPP	25 psi / 172 kPa / 1.72 bar	Left side	Electric	P766296
1" NPT	25 psi / 172 kPa / 1.72 bar	Both sides	Electric	P166086
SAE-16 O-Ring	25 psi / 172 kPa / 1.72 bar	Both sides	Electric	P166088
SAE-16 O-Ring	No Bypass	Both sides	Electric	P166664

HMK24 Dual Filter Head Assemblies

Port Size	Bypass Rating	Gauge/Indicator Port	Gauge/Indicator Options	Part Number
SAE-20 O-Ring	No Bypass	None	Electric	P179609
1 1/4" SAE 4 Bolt Flange code 61	50 psi / 345 kPa / 3.45 bar	None	Electric	P179582

HMK04, 24 Spin-on Filters

Filter Media	Micron Rating	Length (mm)	Length (in)	Part Number
Synteq	<4um @ β1000	240	9.4	*P165185
Synteq	6um @ β1000	152	6	P165354
Synteq	6um @ β1000	240	9.4	P165332
Synteq	11um @ β1000	152	6	P164375
Synteq	11um @ β1000 500 psi collapse	152	6	P163542
Synteq	11um @ β1000	240	9.4	P164378
Synteq	11um @ β1000 350 psi working pressure	295 O.D. 121	11.6	P179343

Continued on page 14...

HMK04, 24 Spin-on Filters (Continued)

Filter Media	Micron Rating	Length (mm)	Length (in)	Part Number
Synteq	23um @ β 1000	113	4.5	P169078
Synteq	23um @ β 1000	152	6	P164381
Synteq	23um @ β 1000	240	9.4	P164384
Synteq	23um @ β 1000 500 psi collapse	240	9.4	P163567
Synteq	50um @ β 1000	118	4.68	P765352
Synteq	50um @ β 1000	152	6	P165335
Synteq	50um @ β 1000	240	9.4	P165338
Wire mesh	150um	240	9.4	P573301
SAP	Water Absorb	240	9.4	P560584

Note: Seal material is Buna-N[®] unless marked *
* epoxy potting and Viton[®] seals

HMK05, 25 Max Flow: HMK 05 189 lpm HMK25 379 lpm

Maximum Working Pressures to:
350 psi
2415 kPa
25.4 bar

Rated Static Burst to:
800 psi
5520 kPa
55.2 bar

Flow Range to:
HMK05 189 lpm
HMK25 379 lpm



HMK05 Single Head Assemblies

Port Size	Bypass Rating	Gauge/Indicator Port	Gauge/Indicator Options	Part Number
1 1/4" BSPP	25 psi / 172 kPa / 1.72 bar	Left side	Electric	P173448
1 1/4" NPT	25 psi / 172 kPa / 1.72 bar	Both sides	Electric	P167294
SAE-20 O-Ring	25 psi / 172 kPa / 1.72 bar	Both sides	Electric	P165973
SAE-20 O-Ring	50 psi / 345 kPa / 3.45 bar	Left side	Electric	P561885
SAE-20 O-Ring	No Bypass	Both sides	Electric	P166663

HMK25 Dual Head Assembly

Port Size	Bypass Rating	Gauge/Indicator Port	Gauge/Indicator Options	Part Number
1 1/2" SAE 4 Bolt Flange Code 61	25 psi / 172 kPa / 1.72 bar	Both	Visual/Electric	P167296

HMK05, 25 Spin-on Filters

Filter Media	Micron Rating	Length (mm)	Length (in)	Part Number
Synteq	<4um @ β 1000	361	14.2	*P564468
Synteq	6um @ β 1000	294	11.6	*P171274
Synteq	6um @ β 1000	294	11.6	P165675
Synteq	6um @ β 1000	361	14.2	P179763
Synteq	11um @ β 1000	294	11.6	*P171275
Synteq	11um @ β 1000	294	11.6	P165659
Synteq	11um @ β 1000	361	14.2	P170949
Synteq	23um @ β 1000	294	11.6	P165569
Synteq	23um @ β 1000	361	14.2	P173789
Synteq	50um @ β 1000	294	11.6	P165672
Wire mesh	150um	294	11.6	P173943
SAP	Water Absorb	294	11.6	P179075

Note: Seal material is Buna-N[®] unless marked *
* epoxy potting and Viton[®] seals

Indicators

Indicator Options	Setting	Description	Series	Part Number
Visual	25 psi / 172 kPa / 1.72 bar	Slide Heavy Duty	All HMK	P165965
Visual	25 psi / 172 kPa / 1.72 bar	Slide	HMK04, 05/25	P162696
Visual	50 psi / 345 kPa / 3.45 bar	Slide	HMK04, 05/25	P167580
Visual		Blanking plate	HMK04, 05/25	P165984
Visual	18 psi / 117 kPa / 1.17 bar	Pop-up	All HMK	P575334
Visual	40 psi / 275 kPa / 2.75 bar	Pop-up	All HMK	P575335
Electrical	25 psi / 172 kPa / 1.72 bar	DC single post	All HMK	P162400
Electrical	25 psi / 172 kPa / 1.72 bar	AC/DC open/closed	All HMK	P173944
Electrical	50 psi / 345 kPa / 3.45 bar	AC/DC open/closed	All HMK	P174396
Electrical	50 psi / 345 kPa / 3.45 bar	AC/DC open/closed	Microprocessor Compatible	P575549
Vis/elec 3 wire comb	35 psi / 241 kPa / 2.41 bar	AC/DC open/closed	W041	P572349



High Pressure Filters

High pressure filters are positioned between pumps and critical components such as cylinders, motors and valve, helping to protect them from catastrophic failure. Donaldson High Pressure Filters are available in pressure ratings up to 6090psi (42000kPa) and come in configurations to suit a variety of flow rates and fluid types. Filters are available to suit a broad range of cleanliness standards and collapse ratings using fully synthetic or water absorbing filter medias.

Maximum Working Pressures to: 6090 psi
42,021 kPa
420 bar

Rated Static Burst to: 9135 psi
63,000 kPa
630 bar

Flow Range to: 95 lpm



FPK02 Head Assembly

Port Size	Bypass Rating	Gauge/Indicator Port	Gauge/Indicator Options	Part Number
SAE -12 O-Ring	86 psi / 592 kPa / 5.93 bar	Plugged	Visual, Electrical	P762766

FPK02 Housing Choices

Length (mm)	Length (in)	Part Number
112	4.41	P762769
207	8.16	P762770

FPK02 Filter Cartridges

Filter Media	Micron Rating	Length (mm)	Length (in)	Part Number	Comments
Synteq DT	<4um @ B1000	112	4.41	P566194	
Synteq DT	5um @ B1000	112	4.41	P566195	
Synteq DT	8um @ B1000	112	4.41	P566196	
Synteq DT	12um @ B1000	112	4.41	P566197	
Synteq DT	23um @ B1000	112	4.41	P566198	
Synteq DT	5um @ B1000	112	4.41	P167180	High collapse 3000 psi
Synteq DT	12um @ B1000	112	4.41	P167181	High collapse 3000 psi
Synteq DT	<4um @ B1000	207	8.16	P566199	
Synteq DT	5um @ B1000	207	8.16	P566200	
Synteq DT	8um @ B1000	207	8.16	P566201	
Synteq DT	12um @ B1000	207	8.16	P566202	
Synteq DT	23um @ B1000	207	8.16	P566203	
Synteq DT	5um @ B1000	207	8.16	P167182	High collapse 3000 psi
Synteq DT	12um @ B1000	207	8.16	P167183	High collapse 3000 psi

Note: Seal material - Epoxy potting and Viton®

HIGH PRESSURE FILTERS

Maximum Working Pressures to:	3000 psi 20,700 kPa 206.9 bar
Rated Static Burst to:	6000 psi 41,400 kPa 413.8 bar
Flow Range to:	227 lpm



HPK03 Head Assembly

Port Size	Bypass Rating	Gauge/Indicator Port	Gauge/Indicator Options	Part Number
SAE -16 O-Ring	50psi / 345kPa / 3.45bar	Left side	Electrical	P166353

HPK03 Housing

Length (mm)	Length (in)	Part Number
208	8	P179579

HPK03 Filter Cartridges

Filter Media	Micron Rating	Length (mm)	Length (in)	Part Number	Comments
Synteq DT	<4um @ β1000	208	8"	P566209	
Synteq DT	5um @ β1000	208	8"	P566210	
Synteq DT	8um @ β1000	208	8"	P566211	
Synteq DT	12um @ β1000	208	8"	P566212	
Synteq DT	23um @ β1000	208	8"	P566213	
Wiremesh	75um @ β2	208	8"	P162233	
SAP	Water Absorb	208	8"	P569528	Buna-N® seal, 150 psi
Synteq DT	5um @ β1000	208	8"	P167185	High collapse, 3000 psi
Synteq DT	12um @ β1000	208	8"	P167186	High collapse, 3000 psi

Note: Seal material - Epoxy potting and Viton®

HIGH PRESSURE FILTERS

Maximum Working Pressures to: 6000 psi
41,380 kPa
413.8 bar

Rated Static Burst to: 17000 psi
117,300 kPa
1173 bar

Flow Range to: 454 lpm



HPK04 Head Assemblies

Port Size	Bypass Rating	Gauge/Indicator Port	Gauge/Indicator Options	Part Number
1 1/2" SAE 4 bolt, code 62	60psi / 414kPa / 4.1bar	Left side	Electrical	P567642
1 1/4" SAE 4 bolt, code 62	90psi / 620kPa / 6.2bar Reverse flow check valve	Left side	Electrical	P567644

HPK04 Housing Choices

Length (mm)	Length (in)	Part Number
208	8	P567650
330	13	P567649
406	16	P567648

HPK04 Filter Cartridges

Filter Media	Micron Rating	Length (mm)	Length (in)	Part Number	Comments
Synteq DT	<4um @ β 1000	208	8"	P566209	
Synteq DT	5um @ β 1000	208	8"	P566210	
Synteq DT	8um @ β 1000	208	8"	P566211	
Synteq DT	12um @ β 1000	208	8"	P566212	
Synteq DT	23um @ β 1000	208	8"	P566213	
SAP	Water Absorb	208	8"	P569528	Buna-N®, 150 psi
Synteq DT	5um @ β 1000	208	8"	P167185	High collapse 3000 psi
Synteq DT	12um @ β 1000	208	8"	P167186	High collapse 3000 psi
Synteq DT	<4um @ β 1000	328	13"	P566214	
Synteq DT	5um @ β 1000	328	13"	P566215	
Synteq DT	8um @ β 1000	328	13"	P566216	
Synteq DT	12um @ β 1000	328	13"	P566217	
Synteq DT	23um @ β 1000	328	13"	P566218	
SAP	Water Absorb	328	13"	P569529	Buna-N®, 150 psi
Synteq DT	5um @ β 1000	328	13"	P167411	High collapse 3000 psi
Synteq DT	12um @ β 1000	328	13"	P167412	High collapse 3000 psi

Note: Seal material - Epoxy potting and Viton®

HIGH PRESSURE FILTERS

HPK04 Filter Cartridges (Continued)

Filter Media	Micron Rating	Length (mm)	Length (in)	Part Number	Comments
Synteq DT	<4um @ B1000	428	16"	P566219	
Synteq DT	5um @ B1000	428	16"	P566220	
Synteq DT	8um @ B1000	428	16"	P566221	
Synteq DT	12um @ B1000	428	16"	P566222	
Synteq DT	23um @ B1000	428	16"	P566223	
SAP	Water Absorb	428	16"	P569530	Buna-N®, 150 psi
Synteq DT	5um @ B1000	428	16"	P167187	High collapse, 3000 psi
Synteq DT	12um @ B1000	428	16"	P167188	High collapse, 3000 psi

Note: Seal material - Epoxy potting and Viton®

Maximum Working Pressures to:

3000 psi
20,700 kPa
206.9 bar

Rated Static Burst to:

6000 psi
41,400 kPa
413.8 bar

Flow Range to:

757 lpm



HPK05 Head and Housing Assembly

Port Size	Bypass Rating	Gauge/Indicator Port	Gauge/Indicator Options	Part Number
2" SAE 4 bolt, code 61	60psi / 414kPa / 4.1bar Reverse flow check valve	Left side	Electrical	K052024*

HPK05 Filter Cartridges

Filter Media	Micron Rating	Length (mm)	Length (in)	Part Number	Comment
Synteq DT	5um @ B1000	658	26"	P566450	
Synteq DT	8um @ B1000	658	26"	P566451	
Synteq	11um @ B1000	658	26"	P164227	Buna-N® 150 psi
Synteq	23um @ B1000	658	26"	P164229*	Buna-N® 150 psi

*Supplied with housing assembly

Indicators

Indicator Options	Setting	Description	Series	Part Number
Visual indicator	72 psi / 496 kPa / 4.96 bar		FPK02	P171945
Electrical/visual combo indicator	72 psi / 496 kPa / 4.96 bar	AC/DC open/closed	FPK02	P171947
Visual	35 psi / 240 kPa / 2.4 bar		HPK03, 04, 05	P164315
Electrical/visual combo indicator	34 psi / 240 kPa / 2.4 bar	115VAC / 28VDC 2amp	HPK03, 04, 05	P569634
Electrical/visual combo indicator	70 psi / 482 kPa / 4.82 bar	115VAC / 28VDC 2amp	HPK03, 04, 05	P569639

Reservoir Accessories

Donaldson offers an extensive line of accessories for hydraulic circuits, lines and reservoirs that will help you maintain proper ISO cleanliness levels.



Suction Strainers

	Thread	Wire mesh	Length (mm)	OD (mm)	Flow rate to lpm	Part Number
	3/8" BSPP	60	68	52	10	P171863
	1/2" BSPP	90	76	69	35	P171865
	3/4" BSPP	90	83	75	25	P171869
	1" BSPP	90	83	95	43	P171873
	1" BSPP	90	131	75	45	P171877
	1 1/4" BSPP	90	172	95	65	P171885
	1 1/2" BSPP	90	114	140	85	P171889
	2" BSPP	90	205	140	186	P171897
STEEL FITTING	3/4" NPT	149	90	67	30	P169013
	1" NPT	149	136	67	38	P169014
	1 1/4" NPT	149	174	86	75	P169015
	1 1/2" NPT	149	203	86	113	P169016
	2" NPT	149	249	100	188	P169018
	3" NPT	149	299	130	376	P169020



Diffuser

Thread	Wire mesh	Length (mm)	OD (mm)	Flow rate to lpm	Part Number
3/4" NPT	2.36mm	76	86	125	P562287



T.R.A.P. Breathers and Accessories

Construction	Connection	Diameter	Total Height	Max Air Flow	Type	Part Number
Glass filled Nylon	9/16-18UNF	42mm	55.4mm	85 lpm	Mini TRAP*	P566174
Glass filled Nylon	3/8" NPT	42mm	55.4mm	85 lpm	Mini TRAP*	P567390
Glass filled Nylon	1/4" NPT	42mm	55.4mm	85 lpm	Mini TRAP*	P567392
Glass filled Nylon	1/2" BSP	72.5mm	62mm	200 lpm	Anti-splash valve*	P767025
Glass filled Nylon	3/4" BSP	72.5mm	64mm	200 lpm	Anti-splash valve*	P766645
Glass filled Nylon	1" BSP	81mm	72.1mm	200 lpm	Anti-splash valve*	P766646
Glass filled Nylon	1/2" BSP	72.5mm	62mm	200 lpm	Pressurised 5.8 psi/40 kPa*	P767023
Glass filled Nylon	3/4" BSP	72.5mm	64mm	200 lpm	Pressurised 5.8 psi/40 kPa*	P767019
Glass filled Nylon	1" BSP	81mm	72.1mm	200 lpm	Pressurised 5.8 psi/40 kPa*	P767021
Glass filled Nylon	1/2" BSP	72.5mm	62mm	300 lpm	Medium TRAP*	P767027
Glass filled Nylon	3/4" BSP	72.5mm	64mm	300 lpm	Medium TRAP*	P767029
Glass filled Nylon	1" BSP	81mm	72.1mm	300 lpm	Medium TRAP*	P767031
Epoxy coated steel	3/4" NPT	81mm	72.4mm	708 lpm	Metal TRAP	P565857
Epoxy coated steel	3/4" BSP	81mm	72.4mm	708 lpm	Metal TRAP	P566037
Epoxy coated steel	Bayonet	81mm	40.9mm	708 lpm	Metal TRAP	P565858
Epoxy coated steel	Bayonet	81mm	40.9mm	708 lpm	Metal TRAP with lock tab	P575077
Glass filled ABS	1" NPT	114mm	115mm	1274 lpm	Large TRAP*	P566151
Glass filled ABS	1" NPT	114mm	115mm	1274 lpm	Large TRAP with LED indicator*	P564669
Glass filled ABS	Bayonet	114mm	168mm	1274 lpm	Large TRAP*	P566156
Urethane	1 1/4" BSP	177mm	248mm	1893 lpm	X-Large TRAP	P923075
Urethane/Brass	1 1/2" BSP	230mm	350mm	1893 lpm	X-Large Bulk Tank TRAP Assembly, indicator, 2.3 psi/15.86 kPa valve	P506159
Nylon	1"NPT F to 3/4"BSP M				Adapter	P505964
Steel/Nylon	Bayonet	86mm	116mm		Filler cap base	P563874
CR Steel/Nylon	Bayonet	81mm	155mm	850 lpm	Filler breather assembly & basket	P562584
CR Steel/Stainless	Bayonet	81mm	134mm	850 lpm	Pressurised 5psi / 34.5kPa filter breather assembly	P563346

* Not suitable for ULP Ethanol Methanol blends



Site Glasses

Material	Thread	Window OD	Max Temp	Max Pressure	Part Number
Polyamid	1/2" BSP	14mm	100°C	29 psi/200 kPa/20 bar	P562421
Polyamid	3/4" BSP	20mm	100°C	29 psi/200 kPa/20 bar	P562426
Polyamid	1 1/4" BSP	30mm	100°C	29 psi/200 kPa/20 bar	P562430
NP steel/glass	1" NPT	24mm	260°C	500 psi/3450 kPa/34.5 bar	P562412
NP steel/glass	1 1/2" NPT	37mm	260°C	500 psi/3450 kPa/34.5 bar	P562414
NP steel/glass	2" NPT	48mm	260°C	500 psi/3450 kPa/34.5 bar	P562415



Level & Temperature Gauges

Material	Thread	Centre to Centre Dist.	Temp Range	Max Pressure	Part Number
Polyamid	M12x1.75	127mm	0°C - 100°C	260 psi/1792 kPa/17.9 bar	P562448
Polyamid	M12x1.75	127mm	0°C - 100°C	14.5 psi/100 kPa/1 bar	P171920
Polyamid	M12x1.75	254mm	0°C - 100°C	14.5 psi/100 kPa/1 bar	P171922

Kits and Accessories

Description	Detail	Comments	Part Number
Hydraulic kit	HMK25, 11um filters, fittings	Flow rates to 378lpm	X900017
Flange	1 1/2" SAE 4 bolt code 61 to 1 1/2" BSPP	1/4" NPT & 1/4" BSP plugged aux ports	P506071
Flange	1 1/2" SAE 4 bolt code 61 split flange	Inc O-ring, 1/2"-13 x 1 1/12 cap screws	P563050
Flange kit	1 1/2" SAE 4 bolt code 61	Connect 2 flanges in series	P506101
Pressure gauge	72mm face, 1/4" NPT stem mount	0 - 160psi	P562709
Pressure gauge	72mm face, 1/4" NPT stem mount	0 - 500psi	P562727
Pressure gauge	72mm face, 1/4" NPT stem mount	0 - 2000psi	P562711
Pressure gauge	72mm face, 1/4" NPT stem mount	0 - 3000psi	P562713
Gauge adapter	1/4" NPT female to M16 x 2 female		P563809
Test point	M16 x 2 male to 1/4" BSP male		P563215
Test point hose	M16 x 2, 1220mm long	Double ended	P563255



X900017 Hydraulic Kit

Equipment operating in extreme conditions, such as crusher units and screening plants, often require additional filtration capacity to maintain fluid ISO cleanliness levels, critical in providing longevity to equipment service life.

This kit has been developed to provide appropriate additional filtration in one convenient kit. It offers the proven and dependable Duramax filters with a dual head assembly, providing efficient filtration, high contamination holding capacity and a flow rate that is sufficient to positively impact fluid cleanliness. The kit provides installation flexibility with either SAE 4 bolt flanges, or BSP thread connections.

Test points are also included as standard, allowing live fluid samples to be taken to monitor fluid condition before and after filtration. A P563255 hose assembly (sold separately) can be used to assist in the collection of samples. Visual indicators are fitted to both sides of the head assembly allowing easy and flexible monitoring of filter condition.

The large, high capacity spin-on filters offer quick, low mess filter replacement, with minimised potential for cross contamination. No special tooling required for servicing.

Features and Benefits

- Flow rates up to 378 lpm
- Dual test points
- Dual visual indicators
- 4 bolt flanges and BSPP thread ports
- Dual High capacity 11µm @ β1000 filters
- One convenient package



P506101 Flange Connection Kit

Suitable for HMK25 & CFLS dual heads.

Donaldson now offers a kit with connection components for easy alignment of popular 1 1/2" SAE 4 bolt, Code 61 flanges used on hydraulic head assemblies.

The kit enables installation of two head assemblies in series with correct thread tension while also providing a simple method of aligning the two filter heads.

Kit includes

- P506071 - SAE 4 bolt fixed flange assembly
- P563050 - SAE split flange assembly
- P563050 - Coupling

WHY CHOOSE DONALDSON?



PERFORMANCE

First-fit choice of leading equipment manufacturers around the world.



INNOVATION

Continuous development of new technologies to meet changing filtration needs.



RELIABILITY

Comprehensive warranty covering our filters and your equipment.



QUALITY

The foundational principle driving the design, manufacture and delivery of every product.



SUPPORT

Knowledgeable technical support specialists available in-field when you need them.



AVAILABILITY

Innovative, reliable distribution partners providing local support.



Donaldson.
FILTRATION SOLUTIONS

Donaldson Australasia Pty Ltd
PO Box 153, Wyong NSW 2259

Freecall: 1800 345 837
Ph: +61 2 4350 2000
Fax: +61 2 4351 2036

Brochure No. F112101 ENG (01/22)

© 2022 Donaldson Company, Inc. All rights reserved.
Donaldson Company, Inc. reserves the right to change or discontinue any model or specification at any time and without notice. Printed in Australia.

Donaldson New Zealand

PO Box 14-770, Panmure 1741 Auckland

Ph: +64 9 579 2790
Fax: +64 9 579 0322

[donaldson.com](https://www.donaldson.com)