



Reservoir Accessories

- Suction strainers protect pumps from damage
- Diffusers for effectively reducing aeration, foaming, turbulence and noise caused by return lines
- Sight and level gauges available, including standard length, screw-in styles in plastic and steel for use in a variety of applications
- Plugs, caps and vents for small power units and gearboxes
- Filler breathers and caps in chrome, zinc epoxy-coated weatherproof finishes and corrosion-resistance technopolymer – lockable, dipsticks and side-mount versions available



T.R.A.P.™ Breather Technology (Thermally Reactive Advanced Protection)

T.R.A.P. breathers provide fast-acting protection against airborne moisture and particulate contamination. It stops solid particulate down to 3 µm at 97% efficiency as well as prevents moisture from entering the reservoir. Water-holding capacity is regenerated with every oil return phase for long service life. Its self-regenerating capability enables extended life.



Suction Strainers

Specifications

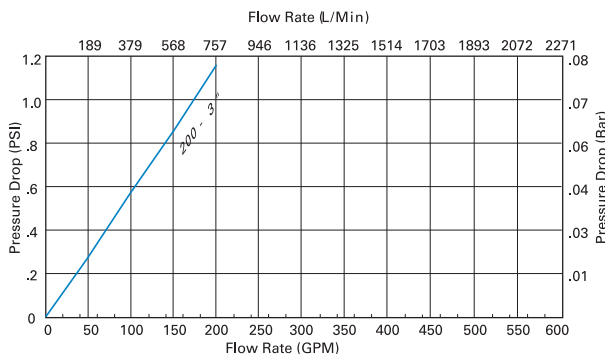
- Flow Range: 0-300 gpm / 0-1,140 lpm
- Outlet Port Size: 3/8" NPT to 4" NPT
- Stainless Steel Mesh
- Steel or nylon fittings
- Operating temperatures:
Steel fitting to 250°F / 121°C
Nylon fitting to 210°F / 100°C
- Relief valve available



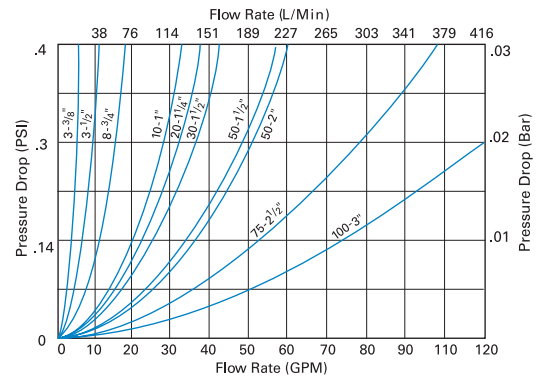
Features

Donaldson suction strainers are zinc-plated, with stainless steel mesh screens and rugged steel core centers epoxy bonded to heavy gauge connector and end caps. Suction strainers filter petroleum-based hydraulic fluids, phosphate esters, water glycols, lubricating oils, coolants, and fuels in fluid reservoirs, sumps and similar applications. They are cleanable and reusable. Clean by swishing in non-caustic solvent, then blow dry from inner diameter to outer diameter with compressed air.

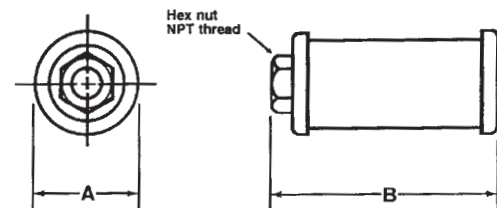
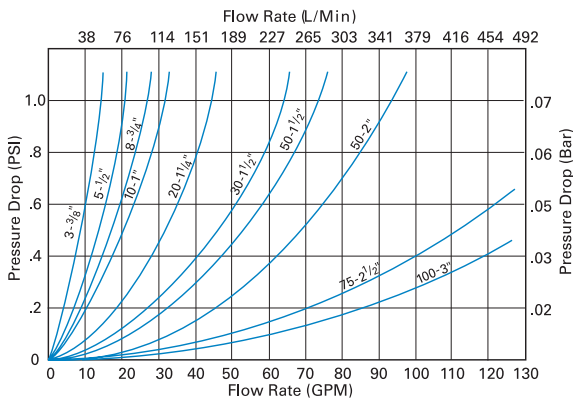
SEC (Steel Fitting) 200-300



PEC (Nylon Fitting) 3-100



SEH/SEC (Steel Fitting) 3-100



Note:
PEC and SEH model strainers have hex nut style outlet fittings. SEC model strainers have pipe coupling style (round) outlet fittings. All styles have NPT threads inside. Mount a minimum of 4" from the reservoir bottom.



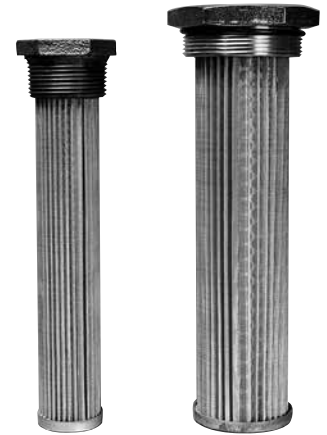
Suction Strainer Choices

	Part No.	Description	Relief Valve Setting	Outlet Pipe Size	Wire Mesh Size	Dim. A (in/mm)	Dim. B (in/mm)	Screen Area (in ² /cm ²)	Max. Flow (gpm/lpm)
NYLON FITTING	P562235	PEC-3-3/8-100	n/a	3/8" NPT	100	1.9/48	2.7/69	20/129	3/11
	P562240	PEC-5-1/2-100	n/a	1/2" NPT	100	1.9/48	4.3/109	25/161	5/19
	P562245	PEC-8-3/4-100	n/a	3/4" NPT	100	2.7/69	4.3/109	40/258	8/30
	P562246	PEC-8-3/4-100-RV3	3 psid / 0.2 bar	3/4" NPT	100	2.7/69	4.3/109	40/258	8/30
	P562244	PEC-8-1-100	n/a	1" NPT	100	2.7/69	4.3/109	40/258	8/30
	P562226	PEC-10-1-100	n/a	1" NPT	100	2.7/69	5.6/142	70/452	10/38
	P562227	PEC-10-1-100-RV3	3 psid / 0.2 bar	1" NPT	100	2.7/69	5.6/142	70/452	10/38
	P562228	PEC-20-1.1/4-100	n/a	1-1/4" NPT	100	3.4/86	5.6/142	128/826	20/75
	P562229	PEC-20-1.1/4-100-RV3	3 psid / 0.2 bar	1-1/4" NPT	100	3.4/86	5.6/142	128/826	20/75
	P562231	PEC-20-1.1/4-200	n/a	1-1/4" NPT	200	3.4/86	5.6/142	128/826	20/75
	P562232	PEC-30-1.1/2-100	n/a	1-1/2" NPT	100	3.4/86	5.6/142	128/826	30/113
	P562233	PEC-30-1.1/2-100-RV3	3 psid / 0.2 bar	1-1/2" NPT	100	3.4/86	5.6/142	128/826	30/113
	P562236	PEC-50-1.1/2-100	n/a	1-1/2" NPT	100	4/102	8/203	200/1290	50/188
	P562237	PEC-50-1.1/2-100-RV3	3 psid / 0.2 bar	1-1/2" NPT	100	4/102	8/203	200/1290	50/188
	P562238	PEC-50-2-100	n/a	2" NPT	100	4/102	10.4/264	200/1290	50/188
	P562239	PEC-50-2-100-RV3	3 psid / 0.2 bar	2" NPT	100	4/102	10.4/264	200/1290	50/188
	P562242	PEC-75-2.1/2-100	n/a	2-1/2" NPT	100	5.2/132	8.5/216	316/2039	75/282
	P562243	PEC-75-2.1/2-100-RV3	3 psid / 0.2 bar	2-1/2" NPT	100	5.2/132	8.5/216	316/2039	75/282
	P562223	PEC-100-3-100	n/a	3" NPT	100	5.2/132	11.5/292	379/2445	100/376
	P562224	PEC-100-3-100-RV3	3 psid / 0.2 bar	3" NPT	100	5.2/132	11.5/292	379/2445	100/376
P562225	PEC-100-3-100-SST	n/a	3" NPT	100	5.2/132	11.5/292	379/2445	100/376	
STEEL FITTING	P562221	SEH-3-3/8-100	n/a	3/8" NPT	100	1.9/48	2.5/64	34/219	3/11
	P169012	SEH-5-1/2-100	n/a	1/2" NPT	100	2.63/67	3.1/79	62/400	5/19
	P563305	SEH-5-1/2-100-RV3	3 psid / 0.2 bar	1/2" NPT	100	2.7/69	3.1/79	62/400	5/19
	P169013	SEH-8-3/4-100	n/a	3/4" NPT	100	2.63/67	3.55/90	68/439	8/30
	P173910	SEH-8-3/4-100-RV3	3 psid / 0.2 bar	3/4" NPT	100	2.63/67	3.55/90	68/439	8/30
	P169014	SEH-10-1-100	n/a	1" NPT	100	2.63/67	5.35/136	110/710	10/38
	P173911	SEH-10-1-100-RV3	3 psid / 0.2 bar	1" NPT	100	2.63/67	5.35/136	110/710	10/38
	P169015	SEH-20-1.1/4-100	n/a	1-1/4" NPT	100	3.38/86	6.85/174	162/1045	20/75
	P173912	SEH-20-1.1/4-100-RV3	3 psid / 0.2 bar	1-1/4" NPT	100	3.38/86	6.85/174	162/1045	20/75
	P169016	SEH-30-1.1/2-100	n/a	1-1/2" NPT	100	3.38/86	8.01/203	225/1452	30/113
	P173913	SEH-30-1.1/2-100-RV3	3 psid/0.2 bar	1-1/2" NPT	100	3.38/86	8.01/203	225/1452	30/113
	P169017	SEH-50-1.1/2-100	n/a	1-1/2" NPT	100	3.94/100	9.8/249	340/2194	50/188
	P173914	SEH-50-1.1/2-100-RV3	3 psid / 0.2 bar	1-1/2" NPT	100	3.94/100	9.8/249	340/2194	50/188
	P562222	SEH-50-1.1/2-60	n/a	1-1/2" NPT	60	3.94/100	9.8/249	340/2194	50/188
	P169018	SEH-50-2-100	n/a	2" NPT	100	3.94/100	9.8/249	340/2194	50/188
	P173915	SEH-50-2-100-RV3	3 psid / 0.2 bar	2" NPT	100	3.94/100	9.8/249	340/2194	50/188
	P169019	SEC-75-2.1/2-100	n/a	2-1/2" NPT	100	5.12/130	10.1/257	400/2581	75/282
	P173916	SEC-75-2.1/2-100-RV3	3 psid / 0.2 bar	2-1/2" NPT	100	5.12/130	10.1/257	400/2581	75/282
	P169020	SEC-100-3-100	n/a	3" NPT	100	5.12/130	11.78/299	500/3226	100/376
	P173917	SEC-100-3-100-RV3	3 psid / 0.2 bar	3" NPT	100	5.12/130	11.78/299	500/3226	100/376
	P562211	SEC-100-3-60	n/a	3" NPT	60	5.12/130	11.78/299	500/3226	100/376
	P562212	SEC-100-3-60-RV3	3 psid / 0.2 bar	3" NPT	60	5.12/130	11.78/299	500/3226	100/376
	P562213	SEC-200-3-100	n/a	3" NPT	100	8.1/206	11.3/287	965/6226	200/752
	P562214	SEC-300-4-100	n/a	4" NPT	100	8.1/206	15/381	1370/8839	300/1128
	P171861	FIOA 20	n/a	G3/8"	90 micron	2.05/52	3.03/77	29/184	2.7/10
	P171869	FIOA 50	n/a	G3/4"	90 micron	2.95/75	3.74/95	54/348	6.6/25
	P171877	FIOA 90	n/a	G1"	90 micron	2.95/75	5.55/141	86/554	12.0/45
	P171885	FIOA 130	n/a	G1 1/4"	90 micron	3.74/95	7.24/184		17.3/65

Tank Mounted Strainers

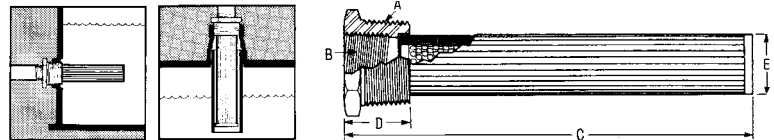
Specifications

- Flow Range: 0-100 gpm / 0-380 lpm
- Outlet Port Size: 3/8" NPT to 1 1/4" NPT or SAE-8 to SAE-20
- 140 Micron Stainless Steel Mesh
- Steel SAE bushing
- Cast iron NPT bushing
- Operating temperatures to 250°F / 121°C
- Relief valve available



Features

Tank mounted strainers offer easy installation. Access to reservoir interior is not needed. You can mount these units through a sidewall or through the tank top and into a standpipe.



Part No.	Description	Relief Valve Setting	Wire Mesh Size	Dimensions (in/mm)					Screen Area (in ² /cm ²)	Max. Flow (gpm/lpm)
				A	B	C	D	E		
P562270	TM-3-100	n/a	100	3/4" NPT	1/2" NPT	4/102	0.97/25	0.87/22	29/187	3/11
P562274	TM-5-100	n/a	100	1" NPT	1/2" NPT	5.34/136	1.06/27	1.17/30	35/226	5/19
P562275	TM-5-100-RV5	5 psid/0.35 bar	100	1" NPT	1/2" NPT	5.34/136	1.06/27	1.17/30	35/226	5/19
P562256	TM-10-100	n/a	100	1-1/4" NPT	3/4" NPT	8.17/208	1.2/30	1.36/35	64/413	10/38
P562257	TM-10-100-RV5	5 psid/0.35 bar	100	1-1/4" NPT	3/4" NPT	8.17/208	1.2/30	1.36/35	64/413	10/38
P562259	TM-10-60-RV5	5 psid/0.35 bar	60	1-1/4" NPT	3/4" NPT	8.17/208	1.2/30	1.36/35	64/413	10/38
P562260	TM-15-100	n/a	100	1-1/2" NPT	1" NPT	8.2/208	1.22/31	1.66/42	86/555	15/56
P562264	TM-15-100-RV5	5 psid/0.35 bar	100	1-1/2" NPT	1" NPT	8.2/208	1.22/31	1.66/42	86/555	15/56
P562266	TM-25-100	n/a	100	2" NPT	1-1/4" NPT	9.04/230	1.35/34	2.12/54	125/806	25/94
P562267	TM-25-100-RV5	5 psid/0.35 bar	100	2" NPT	1-1/4" NPT	9.04/230	1.35/34	2.12/54	125/806	25/94
P562271	TM-50-100	n/a	100	3" NPT	2" NPT	9.7/246	1.7/43	3/76	260/1677	50/188
P562272	TM-50-100-RV3	3 psid/0.2 bar	100	3" NPT	2" NPT	9.7/246	1.7/43	3/76	260/1677	50/188
P562273	TM-50-100-RV5	5 psid/0.35 bar	100	3" NPT	2" NPT	9.7/246	1.7/43	3/76	260/1677	50/188
P563306	TM-100-100	n/a	100	4" NPT	3" NPT	11.3/287	1.8/46	4/102	315/2032	100/376
P562255	TM-100-100-RV5	5 psid/0.35 bar	100	4" NPT	3" NPT	11.3/287	1.8/46	4/102	315/2032	100/376
P562253	STM-5-100	n/a	100	1-5/16" -- 12 UN	3/4" -- 16 UN	5.34/136	1.06/27	1.17/30	35/226	5/19
P562254	STM-5-100-RV5	5 psid/0.35 bar	100	1-5/16" -- 12 UN	3/4" -- 16 UN	5.34/136	1.06/27	1.17/30	35/226	5/19
P562247	STM-10-100	n/a	100	1-5/8" -- 12 UN	1-1/16" -- 12 UN	8.17/208	1.2/30	1.36/35	64/413	10/38
P562248	STM-10-100-RV5	5 psid/0.35 bar	100	1-5/8" -- 12 UN	1-1/16" -- 12 UN	8.17/208	1.2/30	1.36/35	64/413	10/38
P562249	STM-15-100	n/a	100	1-7/8" -- 12 UN	1-5/16" -- 12 UN	8.2/208	1.22/31	1.66/42	86/555	15/56
P562250	STM-15-100-RV5	5 psid/0.35 bar	100	1-7/8" -- 12 UN	1-5/16" -- 12 UN	8.2/208	1.22/31	1.66/42	86/555	15/56
P562251	STM-25-100	n/a	100	2-1/2" -- 12 UN	1-5/8" -- 12 UN	9.04/230	1.35/34	2.12/54	125/806	25/94
P562252	STM-25-100-RV5	5 psid/0.35 bar	100	2-1/2" -- 12 UN	1-5/8" -- 12 UN	9.04/230	1.35/34	2.12/54	125/806	25/94



Diffusers

Specifications

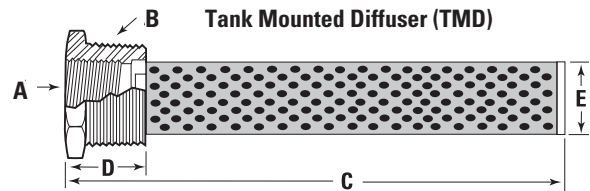
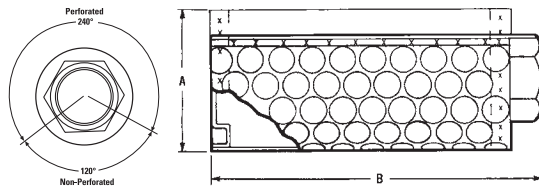
- Perforated Steel
- Cast iron bushings (TMD-tank mount)
- Zinc-plated steel (DFD-return line)
- Operating temperatures to 250°F / 121°C
- Flow Range: 0-450 gpm / 0-1,710 lpm



Features

Diffusers are highly effective in reducing aeration, foaming, turbulence and noise caused by return lines. Reservoir baffles can usually be eliminated, provided that the holes in the tube are positioned facing away from the pump suction inlet and below the reservoir oil level. Can be vertically or horizontally mounted with discharge side directed away from suction and preferably toward a tank wall or bottom.

Line Mounted Diffuser (DFD)



TMD - Tank Mount Diffusers

Part No.	Description	Rated Flow gpm/lpm	Dimension A Pipe Size	Dimension B Pipe Size	Dimensions (in/mm)		
					C	D	E
P562281	TMD-5	5/19	1/2" NPT	1" NPT	5.34/135	1.06/28	1.17/29
P562282	TMD-10	10/38	3/4" NPT	1-1/4" NPT	8.17/207	1.2/30	1.36/34
P562283	TMD-15	15/59	1" NPT	1-1/2" NPT	8.2/208	1.22/31	1.66/42
P562284	TMD-25	25/95	1-1/4" NPT	2" NPT	9.04/229	1.35/34	2.12/53
P562285	TMD-50	50/189	2" NPT	3" NPT	9.7/246	1.7/43	3.0/76

DFD - Line Mount Diffusers

Part No.	Description	Rated Flow gpm/lpm	Pipe Size	Dimension A (in/mm)	Dimension B (in/mm)
P562287	DFD-30	33/125	3/4" NPT	3.4/86.3	3.0/76
P562288	DFD-60	53/201	1" NPT	3.4/86.3	4.2/107
P562289	DFD-90	93/342	1-1/4" NPT	3.4/86.3	6.5/165
P562290	DFD-120	126/479	1-1/2" NPT	4.5/114.3	6.6/168
P562291	DFD-200	209/794	2" NPT	4.5/114.3	10.3/262
P562292	DFD-250	300/1140	2-1/2" NPT	5.25/133.4	13.0/330
P562293	DFD-300	450/1748	3" NPT	5.25/133.4	15.5/394



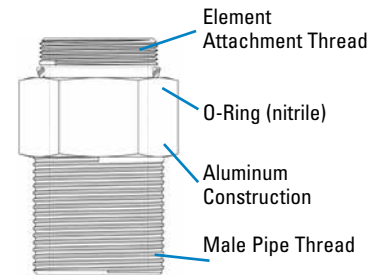
Breathers

Breathers are available in a variety of styles, materials and sizes. Breathers provide clean airflow into reservoirs and other storage containers where there is an exchange of air during changing fluid levels. In high moisture sites or applications with large changes in machine environments, breather caps with pressure relief and vacuum breakers limit air exchange and provide a positive suction head at the pump inlet.



Threaded Adapters for Creating Tank Breathers

Part No.	LHA Part No.	Male Pipe Thread	Element Attachment Thread	Length (in/mm)	Material
P173544	GBF-15	3/4" NPT	1"-12 UN	2.50/64	Aluminum
P173545	GBF-50/60	1-1/4" NPT	1-1/2"-16 UN	3.00/76	Aluminum
P562627	GBF-10	3/4" NPT	1-1/8"-16 UN	1.65/42	Steel
P562628	ABGBA	Bayonet Fitting	1-1/8"-16 UN	1.36/35	Technopolymer
P570353	NA	Bayonet Fitting	1-1/2"-16 UN	2.74/70	Technopolymer



Direct Replacements for Schroeder Breathers

A replacement for Schroeder part ABF-3/10 is available as a breather+adapter set. For other Schroeder replacements and as an alternative on the ABF-3/10, you may purchase adapters and spin-on filters as separate items.

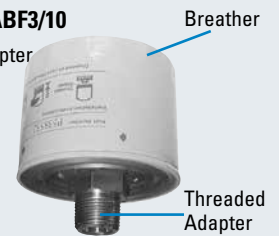
Schroeder Part No.	Donaldson Spin-On Breather + Adapter Set	Adapter	Spin-On Breather
ABF-3/10	P564425	P562627	P564424
ABF-3/10-F	NA	P562628	P564424
MBF-3-M-P20	NA	P173545	P550386
MBF-10-M-P20	NA	P173545	P550388

Replacement for Schroeder ABF3/10

P564425 Spin-On Breather & Adapter
P564424 Spin-On Breather only

Specifications:

Diameter: 3.69" / 93.7mm
Height: 3.6" / 91mm
Threads on adaptor: 3/4"-14 NPT



Spin-On Breather Filters

Part No.	Use with Adapter	Micron Rating	Length (in/mm)	Diameter (in/mm)	Flow (scfm/gpm/lpm)
P564424	P562627 or P562628	10 micron nom.	3.6/91	3.7/94	15/112/421
P556005	P562627 or P562628	10 micron nom.	5.4/137	3.7/94	23/172/647
P551551	P173544	10 micron nom.	5.4/137	3.7/94	23/172/647
P560693	P173544	10 micron abs.	5.4/137	3.7/94	23/172/647
P564357	P173544	5 micron abs.	7.9/200	3.7/94	28/216/812
P179089	P173544	10 micron abs.	7.9/200	3.7/94	28/216/812
P550386	P173545	3 micron nom.	6.7/170	5.0/127	35/262/985
P550250	P173545	3 micron nom.	10.7/272	5.0/127	42/314/1181
P167162	P173545	5 micron abs.	6.7/170	5.0/127	59/440/1654
P165762	P173545	5 micron abs.	10.7/272	5.0/127	64/479/1801
P550388	P173545	10 micron nom.	6.7/170	5.0/127	59/440/1654
P550251	P173545	10 micron nom.	10.7/272	5.0/127	64/479/1801
DBH5875	P173545	10 micron $\alpha_{c(1)} = 1000$	6.7/170	5.0/127	59/440/1654
P165875	P173545	10 micron abs.	6.7/170	5.0/127	59/440/1654
P165876	P173545	10 micron abs.	10.7/272	5.0/127	64/479/1801

T.R.A.P.™ Breather

Flow Rates to:

45 cfm / 1270 lpm

Particulate Removal to:

3 µm

Moisture Removal:

Reversible Adsorption



Features

Donaldson breathers with Thermally Reactive Advanced Protection (T.R.A.P.™) provide fast-acting protection for hydraulic reservoirs against airborne moisture and particulate contamination. Donaldson T.R.A.P. technology strip moisture vapor from intake air and expel the moisture back to the atmosphere. Moisture is prevented from entering and is actually “pumped” out with each flow cycle. T.R.A.P. media regenerates its water-holding capacity, which leads to longer service life – 3 to 4 times the life of conventional desiccant breathers.

- Electronic Indicator**
 Actuated by pressure differential, flashes red to indicate changeout is needed. Indicator setting, 1 psid/6.9 kPa. Indicator power source: 3V lithium battery CR2032.
- Mechanical Indicator Kits**
 Install kit between reservoir and T.R.A.P. breather. Lock-up style indicator with manual reset. Highly visible, bright red band shows when restriction limit is reached. Indicator setting, 20" H₂O/5.0 kPa.
- Oil Splash and Mist Containment**
 Keeps oil inside reservoir.
- Easy To Install**
 Lightweight—simply hand tighten.
- Rugged Design**
 Effective to -40°F (-40°C). Robust housing protects media. Because it withstands high vibration, T.R.A.P. is suitable for both stationary and mobile applications.

Operating Temperatures

- -40°F to 200°F / -40°C to 93°C
- Intermittent operation to 250°F / 121°C

Particulate Removal Efficiency

- 3 µm at 97%

Connection Sizes

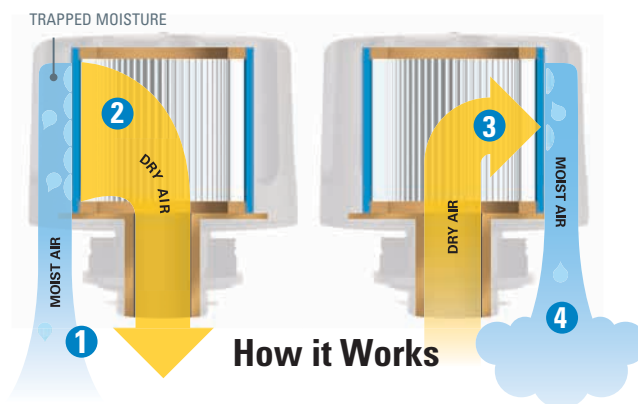
- 1" and 3/4" NPT, 3/4" BSP Bayonet
- 1/4" and 3/8" NPT, 9/16"-18UN

Flow Rates

- 45 cfm / 1274 lpm
- 25 cfm / 708 lpm
- 3 cfm / 85 lpm

Indicator Setpoint

- 1 psid / 6.9 kPa



INTAKE CYCLE (INHALATION)

- 1 The circuit “breathes in” air containing moisture vapor.
- 2 The T.R.A.P. breather strips moisture and particulate from the incoming air, allowing only clean, dry air to enter the circuit.

OUTFLOW CYCLE (EXHALATION)

- 3 During the “exhalation” cycle, the T.R.A.P. breather allows unrestricted airflow outward.
- 4 The outflow of dry air picks up the moisture collected by the T.R.A.P. breather during intake, and “blows it back out” – fully regenerating the breather’s water-holding capacity.



Self-Regenerating T.R.A.P. Breather Choices

- Refer to the FIK section for additional T.R.A.P. breather options specific to those assembly models only.

T.R.A.P. Breather Sizing

Trap Model	Hydraulic System (gal/l)	In-plant Lube (gal/l)	Outside (gal/l)
Standard	100/375	500/1875	250/938
Metal	40/150	200/750	100/375
Mini	4/15	20/75	10/38


Standard

Part No.	Connection	Maximum Flow (cfm/lpm)	Indicator	Moisture Removal
Standard ABS Plastic Breathers with Oil/Splash Containment				
P566151*	1" NPT	45/1274	opt mechanical	Yes indicator kit
P564669	1" NPT	45/1274	electronic**	Yes
P566156	Bayonet	45/1274	none	Yes
P565616	Bayonet	45/1274	electronic**	Yes
Medium Epoxy Coated Steel Breathers with Oil/Splash Containment				
P565857*	3/4" NPT	25/708	opt mechanical	Yes indicator kit
P565858	Bayonet	25/708	none	Yes
P566037	3/4" BSP	25/708	none	Yes
P575077	Bayonet with Lock Tab	25/708	none	Yes


Medium Metal

Mini

**LED indicators not rated for fuel.

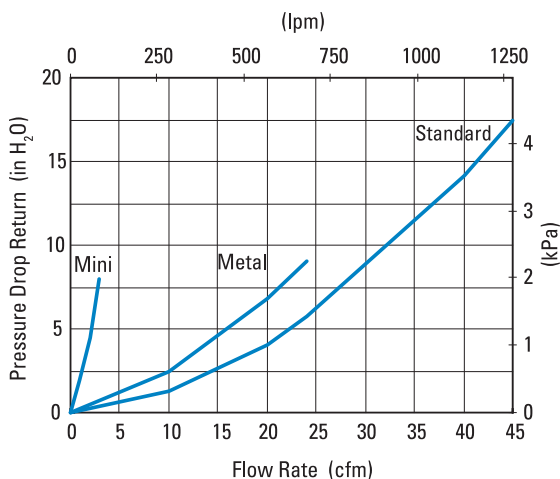
Part No.	Connection	Maximum Flow (cfm/lpm)	Indicator	Moisture Removal
Mini Nylon Breathers with Oil/Splash Containment				
P566174	9/16"-18 UNF	3/85	none	Yes
P567390	3/8" NPT	3/85	none	Yes
P567392	1/4" NPT	3/85	none	Yes

Part No.	Connection	Maximum Flow (cfm/lpm)	Indicator	Moisture Removal
Mini Particulate Only Breathers with Oil Splash Containment				
P567932	3/8" NPT	3/85	none	No
P567933	1/4" NPT	3/85	none	No

Part No.	Connection	Indicator
*Mechanical Indicator Kit - For use with P566151 & P565857 (*requires customer-supplied 3/4"x1" NPT reducer bushing)		
P566168	1" NPT coupling	20" H2O/5 kPa trip point

Part No.	Description	Connection
Bayonet Style Filler Basket - For use with bayonet style T.R.A.P. Breathers		
P566321	3" Stainless steel basket	6-bolt 2.81/71.4 circle
P575080	6" Stainless steel basket with Lock Tab	6-bolt 2.81/71.4 circle
P563874	4" Nylon Basket	6-bolt 2.81/71.4 circle
P563453	6" Stainless steel basket	6-bolt 2.81/71.4 circle

T.R.A.P. Performance Data



Activation Instructions for

T.R.A.P. Breathers with Electronic Indicator

The T.R.A.P. breather has a service indicator that will indicate when it is time to replace the T.R.A.P. This indicator should be activated before the T.R.A.P. is put into service. Before the T.R.A.P. is activated, it is in a sleep mode to conserve the battery. The T.R.A.P. can remain in a sleep mode for over 6 months without detriment to the battery. While in sleep mode, the LED light will not flash until it is activated.

Activation

- Remove the T.R.A.P. from the box and turn it upside down - with the neck and thread up.
- Using a forefinger, insert into the neck of the T.R.A.P. and press on the plastic screen until the LED light begins to flash. The light will flash three times with a shortflash followed by a long flash and then another short flash.
- Release pressure from the switch immediately after the light begins flashing.

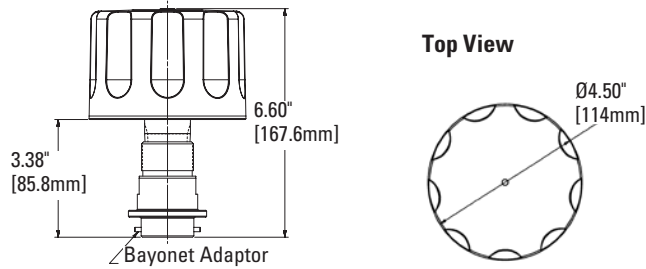
The T.R.A.P. is now activated.

Replacement

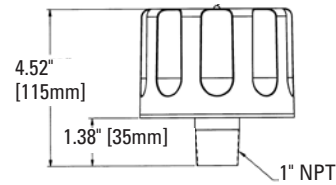
Replace T.R.A.P. with a new one when the light begins to blink.

T.R.A.P.™ Breather Specifications

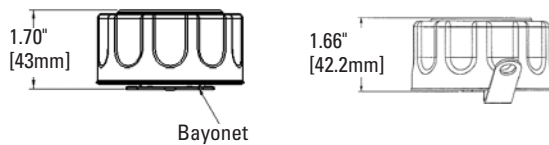
Standard **P565616** (electronic indicator) Bayonet connection
P566156 (no indicator version) Bayonet connection
Bayonet connection



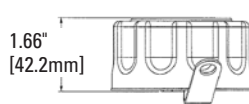
P564669 (optional mechanical) 1" NPT connection
P566151 (no indicator version) 1" NPT connection



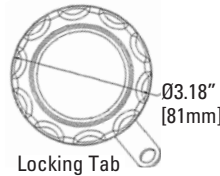
Metal **P565858** Bayonet connection
P575077 Bayonet connection with Lock Tab



Bayonet



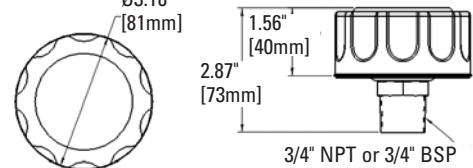
Top View



Locking Tab

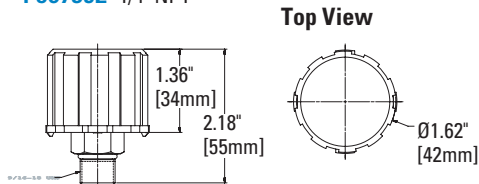
P565857 (3/4" NPT connection, optional mechanical indicator)

P566037 (3/4" BSP connection)



3/4" NPT or 3/4" BSP

Mini **P566174** 9/16-18 UNF
P567390 3/8" NPT
P567392 1/4" NPT



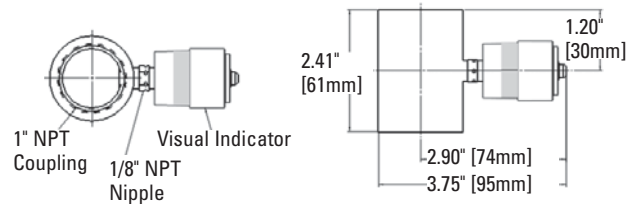
Top View

Mechanical Indicator Kit

P566168

Suitable for use with **P566151** and **P565857***
*Requires additional 3/4" x 1" reducer bushing (supplied by customer)

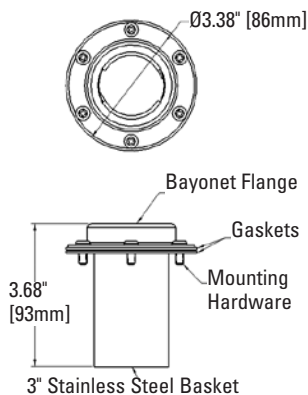
Top View



Bayonet Style Filler Basket/Flange Kits

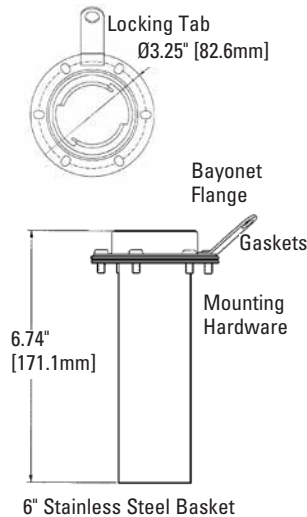
Use with any bayonet style T.R.A.P. Breather

P566321



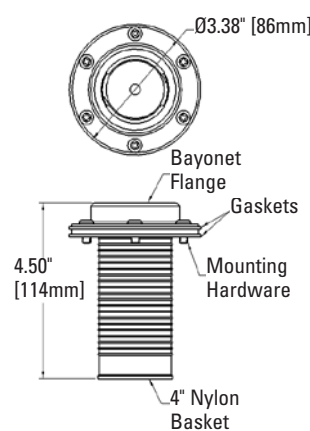
3" Stainless Steel Basket

P575080



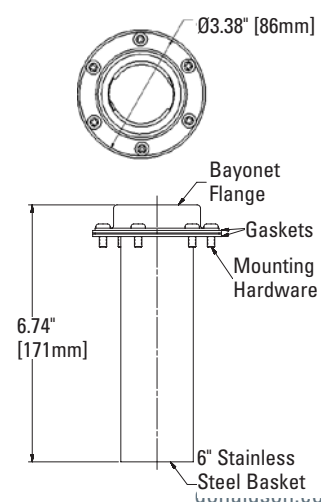
6" Stainless Steel Basket

P563874



4" Nylon Basket

P563453



6" Stainless Steel Basket



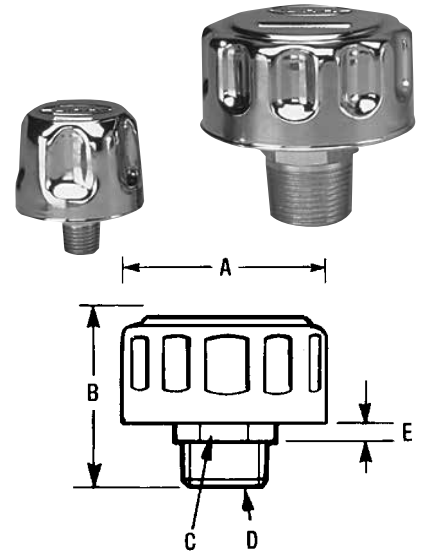
ABS, MBS Series

Specifications

- Chrome plated, epoxy coated or zinc plated steel cap
- Airflow to 30 cfm / 850 lpm
- Compatible with petroleum based fluids
- Temperature to 212°F / 100°C
- 1/2", 3/4" and 1" NPT on ABS
- 1/4" and 3/8" NPT on MBS

Options

- 3, 10 and 40 micron (ABS), 10 and 40 micron (MBS)
- Zinc and epoxy coated weather-proof cap versions



Part No.	Reference	Micron Rating	Airflow Capacity (cfm/lpm)	Dimensions (in/mm)					Finish
				A	B	C	D	E	
P562510	MBS-10-N04	10 µm	10/283	1.85/47	2.0/51	.75/19	1/4" NPT	.2/5	Chrome Plated
P562511	MBS-10-N06	10 µm	10/283	1.85/47	2.0/51	.75/19	3/8" NPT	.2/5	Chrome Plated
P562512	MBS-40-N04	40 µm	10/283	1.85/47	2.0/51	.75/19	1/4" NPT	.2/5	Chrome Plated
P562514	MBS-40-N06	40 µm	10/283	1.85/47	2.0/51	.75/19	3/8" NPT	.2/5	Chrome Plated
P562516	MBS-Z-10-N06	10 µm	10/283	1.85/47	2.0/51	.75/19	3/8" NPT	.2/5	Zinc Plated
P562517	ABS-03-N12	3 µm	30/850	3.15/80	2.8/71	1.18/30	3/4" NPT	.5/13	Chrome Plated
P562518	ABS-10-B12	10 µm	30/850	3.15/80	2.8/71	1.18/30	3/4" BSP	.5/13	Chrome Plated
P562519	ABS-10-N08	10 µm	30/850	3.15/80	2.8/71	1.18/30	1/2" NPT	.5/13	Chrome Plated
P562520	ABS-10-N12	10 µm	30/850	3.15/80	2.8/71	1.18/30	3/4" NPT	.5/13	Chrome Plated
P562521	ABS-10-N16	10 µm	30/850	3.15/80	2.8/71	1.18/30	1" NPT	.5/13	Chrome Plated
P562522	ABS-40-N08	40 µm	30/850	3.15/80	2.8/71	1.18/30	1/2" NPT	.5/13	Chrome Plated
P562523	ABS-40-N12	40 µm	30/850	3.15/80	2.8/71	1.18/30	3/4" NPT	.5/13	Chrome Plated
P562524	ABS-40-N16	40 µm	30/850	3.15/80	2.8/71	1.18/30	1" NPT	.5/13	Chrome Plated
P562525	ABS-W-03-N12	3 µm	30/850	3.15/80	2.8/71	1.18/30	3/4" NPT	.5/13	Epoxy Coated Black
P562526	ABS-W-10-N08	10 µm	30/850	3.15/80	2.8/71	1.18/30	1/2" NPT	.5/13	Epoxy Coated Black
P562527	ABS-W-10-N12	10 µm	30/850	3.15/80	2.8/71	1.18/30	3/4" NPT	.5/13	Epoxy Coated Black
P562528	ABS-W-10-N16	10 µm	30/850	3.15/80	2.8/71	1.18/30	1" NPT	.5/13	Epoxy Coated Black
P563901	ABS-W-40-B12	40 µm	30/850	3.15/80	2.8/71	1.18/30	3/4" BSP	.5/13	Epoxy Coated Black
P562529	ABS-W-40-N12	40 µm	30/850	3.15/80	2.8/71	1.18/30	3/4" NPT	.5/13	Epoxy Coated Black
P562530	ABS-W-40-N16	40 µm	30/850	3.15/80	2.8/71	1.18/30	1" NPT	.5/13	Epoxy Coated Black
P562532	ABS-Z-40-N08	40 µm	30/850	3.15/80	2.8/71	1.18/30	1/2" NPT	.5/13	Zinc Plated
P562533	ABS-Z-40-N12	40 µm	30/850	3.15/80	2.8/71	1.18/30	3/4" NPT	.5/13	Zinc Plated



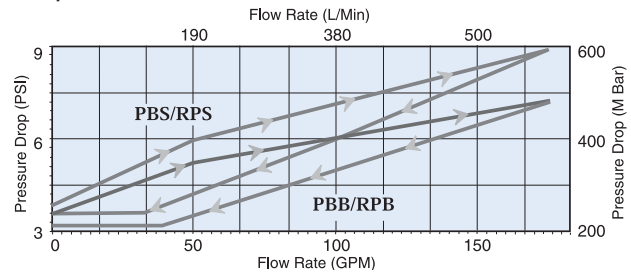
PBS Series Pressure Filler Breather Cap - Screw In Style

Specifications

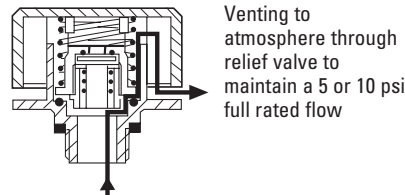
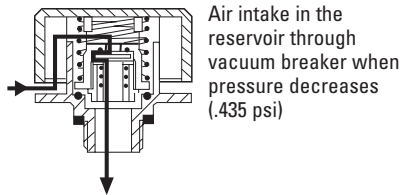
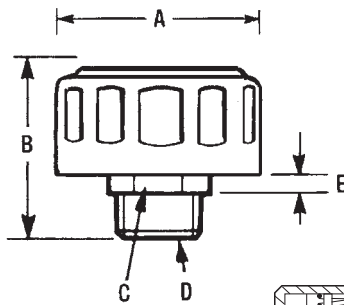
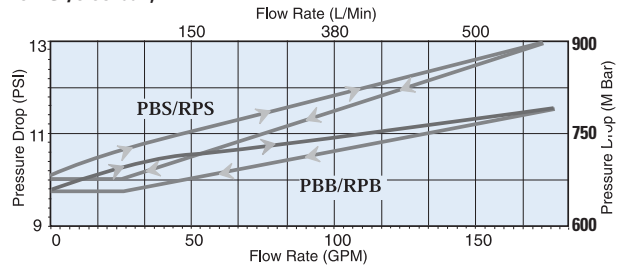
- Chrome plated or epoxy coated steel cap
- Air intake valve opens at 0.435 psi/3 kPa
- Compatible with petroleum based fluids
- Temperature range:
-22°F to +240°F / -30°C to 115°C
- Nitrile gaskets standard
- 10 and 40 micron available
- Relief valve settings at 5 psi / 0.34 bar or 10 psi / 0.69 bar full rate flow



5 PSI/0.34 bar



10 PSI/0.69 bar



Part No.	Description	Micron Rating	Airflow Capacity (cfm/lpm)	Relief Valve Setting (psi/bar)	Dimensions (in/mm)					Finish
					A	B	C	D	E	
P563362	PBS-10-10-N12	10 µm	30/850	10/0.69	3.15 / 80	2.8 / 71	1.18 / 30	3/4" NPT	.5 / 13	Chrome Plated
P563363	PBS-10-10-N16	10 µm	30/850	10/0.69	3.15 / 80	2.8 / 71	1.18 / 30	1" NPT	.5 / 13	Chrome Plated
P563365	PBS-10-5-N12	10 µm	30/850	5/0.34	3.15 / 80	2.8 / 71	1.18 / 30	3/4" NPT	.5 / 13	Chrome Plated
P563366	PBS-10-5-N16	10 µm	30/850	5/0.34	3.15 / 80	2.8 / 71	1.18 / 30	1" NPT	.5 / 13	Chrome Plated
P563367	PBS-40-10-N12	40 µm	30/850	10/0.69	3.15 / 80	2.8 / 71	1.18 / 30	3/4" NPT	.5 / 13	Chrome Plated
P563368	PBS-40-5-N12	40 µm	30/850	5/0.34	3.15 / 80	2.8 / 71	1.18 / 30	3/4" NPT	.5 / 13	Chrome Plated
P563369	PBS-40-5-N16	40 µm	30/850	5/0.34	3.15 / 80	2.8 / 71	1.18 / 30	1" NPT	.5 / 13	Chrome Plated
P563370	PBS-W-10-5-N12	10 µm	30/850	5/0.34	3.15 / 80	2.8 / 71	1.18 / 30	3/4" NPT	.5 / 13	Epoxy Coated Black
P563371	PBS-W-40-10-N12	40 µm	30/850	10/0.69	3.15 / 80	2.8 / 71	1.18 / 30	3/4" NPT	.5 / 13	Epoxy Coated Black
P563372	PBS-W-40-5-N12	40 µm	30/850	5/0.34	3.15 / 80	2.8 / 71	1.18 / 30	3/4" NPT	.5 / 13	Epoxy Coated Black



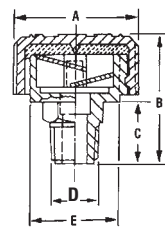
Filler Breather Caps

Specifications

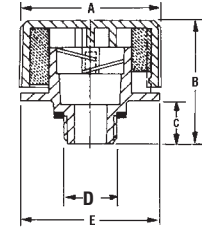
- High impact-resistant technopolymer construction
- Cap diameters 1.22" / 31mm, 1.65" / 42mm, 2.24" / 57mm and 2.75" / 70mm
- Compatible with petroleum and water based fluids
- Temperature range
-22°F to +240°F / -30°C to +115°C
- Displacements to 250 gpm / 9461 lpm without baffle
- Displacements to 144 gpm / 547 lpm with anti-splash baffle



CPS / DPS / LPS



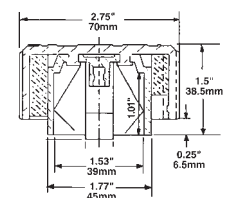
BPS / RPS



Part No.	Description	Micron Rating	Airflow Capacity (cfm/lpm)	Relief Valve Setting (psi/bar)	Dimensions (in/mm)				
					A	B	C	D	E
P562494	DPS-40-N04	40 µm	4.9/139	n/a	1.65/42	1.54/52	.67/18	1/4" NPT	1.2/30
P562495	DPS-40-N04-A	40 µm	2.1/59	n/a	1.65/42	2.05/52	.71/18	1/4" NPT	1.2/30
P563614	DPS-40-N06	40 µm	11.7/331	n/a	1.65/42	2.05/52	.71/18	3/8" NPT	1.2/30
P562497	DPS-40-N06-A	40 µm	5/142	n/a	1.65/42	2.05/52	.71/18	3/8" NPT	1.2/30
P562501	DPS-40-N08	40 µm	11.7/331	n/a	1.65/42	2.05/52	.71/18	1/2" NPT	1.2/30
P562502	DPS-40-N12	40 µm	12.5/354	n/a	1.65/42	2.05/52	.71/18	3/4" NPT	1.2/30
P562503	DPS-40-N12-A	40 µm	5.4/153	n/a	1.65/42	2.05/52	.71/18	3/4" NPT	1.2/30
P562483	CPS-40-N12	40 µm	27/765	n/a	2.24/57	1.85/47	.87/22	3/4" NPT	1.53/39
P562484	CPS-40-N12-A	40 µm	13.5/382	n/a	2.24/57	1.85/47	.87/22	3/4" NPT	1.53/39
P562480	BPS-10-N12-A	10 µm	19.3/547	n/a	2.75/70	2.48/63	.83/21	3/4" NPT	2.68/68
P562481	BPS-40-N12	40 µm	33.4/946	n/a	2.75/70	2.48/63	.83/21	3/4" NPT	2.68/68
P562482	BPS-40-N12-A	40 µm	19.3/547	n/a	2.75/70	2.48/63	.83/21	3/4" NPT	2.68/68
P562492	RPS-40-5-N12	40 µm	30/850	5/0.34	2.75/70	2.48/63	.83/21	3/4" NPT	2.68/68

* -A = anti-splash

Part No.	Description	Micron Rating	Airflow Capacity (cfm/lpm)	Dimensions (in/mm)				Comment
				A	B	C	D	
P562476	ABO-10	10 µm	30/850	2.75/70	1.5/39	.25/7	1.77/45	Fits over 1.50" OD tube
P562477	ABO-40	40 µm	30/850	2.75/70	1.5/39	.25/7	1.77/45	Fits over 1.50" OD tube

ABO




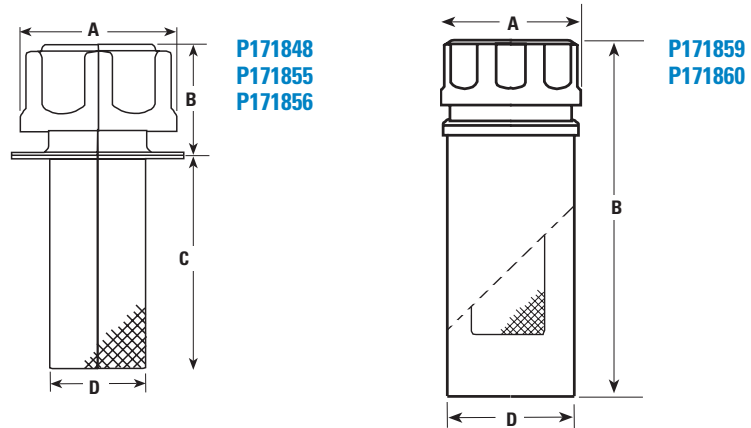
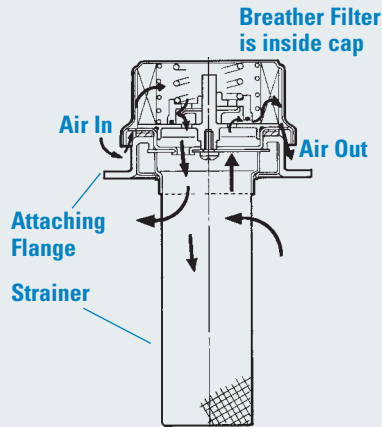
Filler Breather Assemblies

Features

- Removable 500 µm mesh strainer. (Except model P171848, which has a non-removable strainer.)
- 10 µm air breather/filter.
- Models P171855 & P171848 include drilled flanges with attaching screws.

How it Works

As fluid levels rise and fall inside the reservoir, air flows in and out through the strainer and breather as shown below. The breather filter inside the cap removes contaminants as small as 10 µm from the air to keep airborne contaminant from entering the fluid. The strainer removes large particles from fluid as it is added to the reservoir.



Filler Breather Specifications

Part No.	FLANGE SPECIFICATIONS				Flow (gpm/lpm)	FILLER BREATHER SPECIFICATIONS			
	Outer Dia. (in/mm)	No. of Holes	Hole Dia. (in/mm)	Bolt Circle		A	B	C	D
						Dimensions (in/mm)			
P171848	2.01/51	3	.22/5.5	1.61/41	70/270	1.81/45	1.38/35	2.48/63	1.1/28
P171855	3.31/84	6	.22/5.5	2.88/73	124/470	2.76/70	1.81/46	3.94/100	1.5/38
P171856	3.31/84	n/a	n/a		124/470	2.76/70	1.81/46	3.94/100	1.15/38
P171859		n/a - weldable			124/470	2.76/70	7.09/180	2.50/64	
P171860 *		n/a - weldable			124/470	2.76/70	7.09/180	2.50/64	

* For pressurized reservoirs at 5.8 psi/0.4 bar relief pressure.

Filler Cap Only (Replacement)

- P173292 --- fits P171855, P171856, P171859
- P173364 for pressurized reservoir --- fits P171860

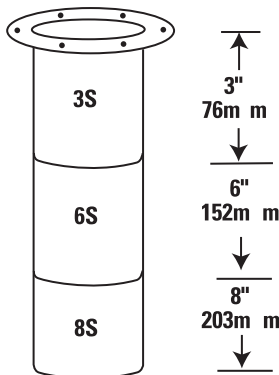
ABB Series Filler Breathers - Bayonet Style

Specifications

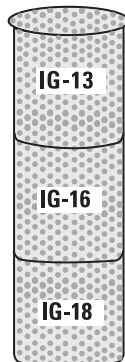
- Chrome plated, epoxy coated or zinc plated steel caps
- Airflow to 30 cfm / 850 lpm
- Compatible with petroleum based fluids
- 30 mesh technopolymer basket
- Self tapping screws for flange mount
- Cork gaskets
- 3, 10, or 40 micron



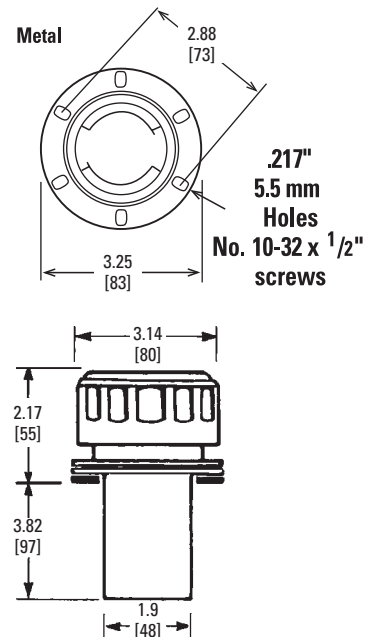
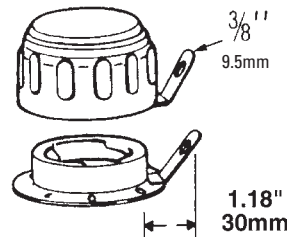
30 MESH STAINLESS STEEL BASKETS



INNER GUARDS



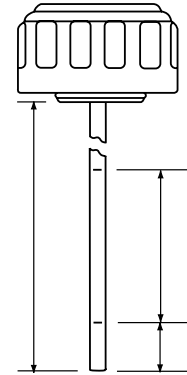
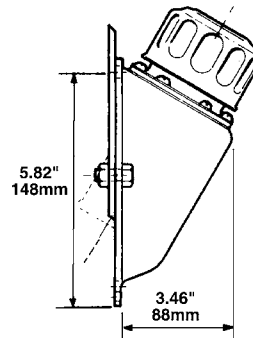
LOCKING TABS (AB ONLY)



Part No.	Reference	Features	Micron Rating	Finish
P562610	ABB-W-03-8S-IG	8" Stainless basket, inner guard	3 µm	Epoxy coated, black
P562611	ABB-W-10-3S	3" Stainless basket	10 µm	Epoxy coated, black
P562612	ABB-W-10-3S-LT	3" Stainless basket, lock tab	10 µm	Epoxy coated, black
P562614	ABB-W-10-N	Nylon basket	10 µm	Epoxy coated, black
P562616	ABB-W-10-N-R	Nylon basket, nitrile gasket	10 µm	Epoxy coated, black
P562618	ABB-W-40-3S	3" Stainless basket	40 µm	Epoxy coated, black
P562619	ABB-W-40-6S	6" Stainless basket	40 µm	Epoxy coated, black
P562620	ABB-W-40-N	Nylon basket	40 µm	Epoxy coated, black
P562623	ABB-Z-40-3S	3" Stainless basket	40 µm	Zinc plated
P562624	ABB-Z-40-3S-LT	3" Stainless basket, lock tab	40 µm	Zinc plated
P562625	ABB-Z-40-N	Nylon basket	40 µm	Zinc plated
P562626	ABB-Z-40-N-R	Nylon basket, nitrile gasket	40 µm	Zinc plated



Side Mount
 P563609 Side Mount Kit
 Can be used with all Bayonet and Threaded Flange Breathers (except MBB & Pressurized Breathers). Maximum torque for fastening 112 in. lbs. with washers.

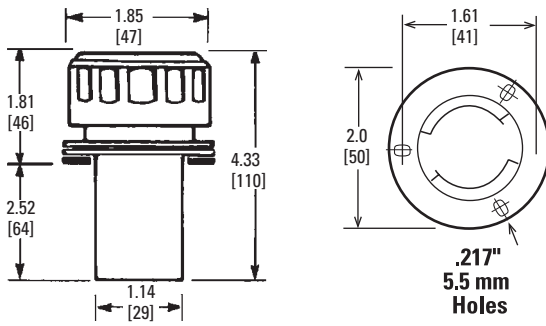


Dipsticks available for some models. See Features section on assembly tables.

Chrome ABB Series Filler Breathers - Bayonet Style

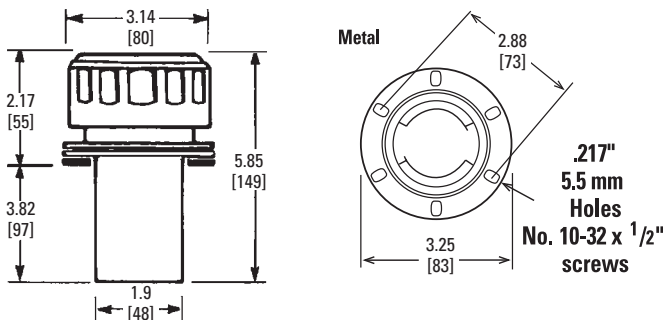
Airflow to 30 cfm/850 lpm

Part No.	Description	Features	Micron Rating
P562573	ABB-03-N	Nylon basket	3 µm
P562574	ABB-10	Flange, screws & gasket, no basket	10 µm
P562575	ABB-10-3S	3" Stainless basket	10 µm
P562576	ABB-10-3S-LT	3" Stainless basket, Lock tab	10 µm
P562577	ABB-10-3S-R	3" Stainless basket, nitrile gasket	10 µm
P562578	ABB-10-3S-SMB	3" Stainless basket, side mount kit	10 µm
P562579	ABB-10-6S	6" Stainless basket	10 µm
P562580	ABB-10-6S-LT	6" Stainless basket, Lock tab	10 µm
P562581	ABB-10-6S-R	6" Stainless basket, nitrile gasket	10 µm
P562582	ABB-10-8S	8" Stainless basket	10 µm
P562584	ABB-10-N	Nylon basket	10 µm
P562585	ABB-10-N-LT	Nylon basket, Lock tab	10 µm
P562587	ABB-10-N-R	Nylon basket, nitrile gasket	10 µm
P562589	ABB-40	Flange, screws & gasket, no basket	40 µm
P562590	ABB-40-3S	3" Stainless basket	40 µm
P562592	ABB-40-3S-R	3" Stainless basket, nitrile gasket	40 µm
P562593	ABB-40-3S-SMB	3" Stainless basket, side mount kit	40 µm
P562594	ABB-40-6S	6" Stainless basket	40 µm
P562595	ABB-40-6S-D	6" Stainless basket, dipstick	40 µm
P562596	ABB-40-6S-LT	6" Stainless basket, Lock tab	40 µm
P562598	ABB-40-8S	8" Stainless basket	40 µm
P562599	ABB-40-8S-D	8" Stainless basket, dipstick	40 µm
P562601	ABB-40-CWOF	Cap only	40 µm
P562602	ABB-40-LT	Lock tab, no basket	40 µm
P562603	ABB-40-N	Nylon basket	40 µm
P562605	ABB-40-N-LT	Nylon basket, Lock tab	40 µm
P562608	ABB-40-N-R	Nylon basket, nitrile gasket	40 µm
P562609	ABB-40-N-SMB	Nylon basket, side mount kit	40 µm



Mini Filler Breather

Part No.	Description	Micron Rating	Airflow Capacity (cfm/lpm)	Finish
P562561	MBB-10-N	10 µm	10/283	Chrome
P562562	MBB-40-N	40 µm	10/283	Chrome



Non-Vent Filler Cap, Bayonet

Part No.	Description	Feature	Finish
P562563	NVB-00-3S	Filler Cap Assembly with 3" Stainless Basket	Chrome
P562564	NVB-00-N	Filler Cap Assembly with Nylon Basket	Chrome
P562565	NVB-W-00-8S	Filler Cap Assembly with 8" Stainless Basket	Epoxy coated, Black



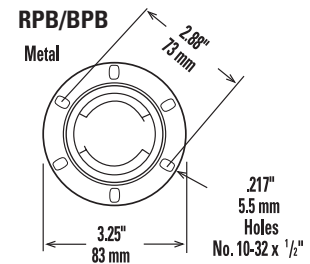
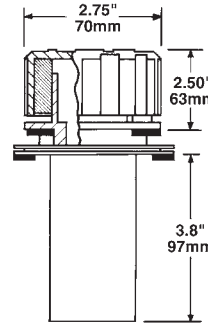
Filler Breathers

Specifications

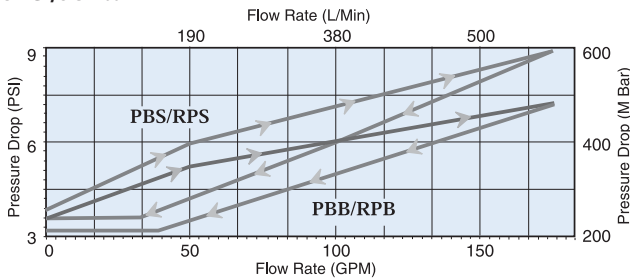
- High impact black technopolymer
- Temperature range
-22°F to +240°F / -30°C to +115 °C
- 2.75" diameter cap
- Available with bayonet or threaded flange
- Airflow to 30 cfm / 850 lpm
- Compatible with petroleum and water based fluids
- 30 mesh technopolymer basket

Options

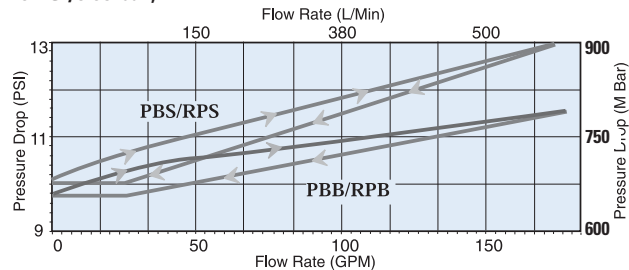
- Dipstick 3" / 76mm, 6" / 152mm and 8" / 203mm stainless steel baskets



5 PSI/0.34 bar



10 PSI/0.69 bar



Bayonet Style (RPB) (BPB)

Part No.	Description	Feature	Micron Rating	Airflow Capacity (cfm/lpm)	Relief Valve Setting (psi/bar)
P562554	RPB-40-5-3S	3" Stainless Basket	40 µm	30/850	5/0.34
P562555	RPB-40-5-6S	6" Stainless Basket	40 µm	30/850	5/0.34
P562556	RPB-40-5-N	Nylon Basket	40 µm	30/850	5/0.34
P562534	BPB-10-A CAP ONLY	Breather Cap	10 µm	30/850	N/A
P562536	BPB-10-N-A	Breather	10 µm	30/850	N/A
P563813	BPB-40 CAP ONLY	Breather Cap	40 µm	30/850	N/A
P562537	BPB-40-3S	Breather with 3" Steel Basket	40 µm	30/850	N/A
P562538	BPB-40-3S-A	Breather	40 µm	30/850	N/A
P562539	BPB-40-6S-D	Filler Breather with Dip Stick	40 µm	30/850	N/A
P562541	BPB-40-N	Breather	40 µm	30/850	N/A
P562542	BPB-40-N-A	Breather	40 µm	30/850	N/A
P562544	BPB-40-N-SMB	Breather with Side Mount Kit	40 µm	30/850	N/A



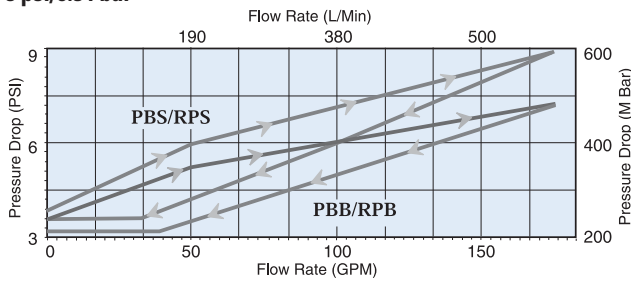
PBB Series Pressure Filler Breather Cap - Bayonet Style

Specifications

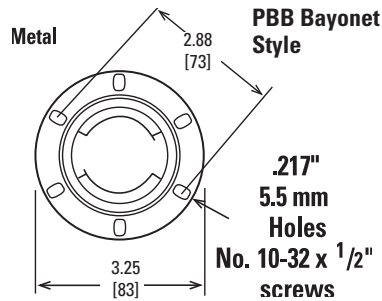
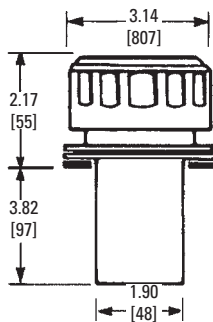
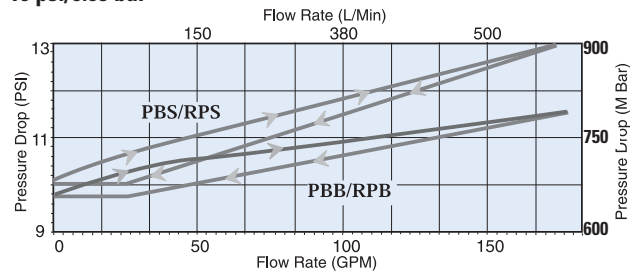
- Chrome plated, epoxy coated or zinc plated steel cap
- Air intake valve opens at 0.435 psi / 3 kPa
- Compatible with petroleum based fluids
- Temperature range
-22°F to +240°F / -30°C to 115°C
- Nitrile gaskets standard
- 10 and 40 micron available
- Relief valve settings at 5 or 10 psi / 0.34 or 0.69 bar full rate flow



5 psi/0.34 bar



10 psi/0.69 bar

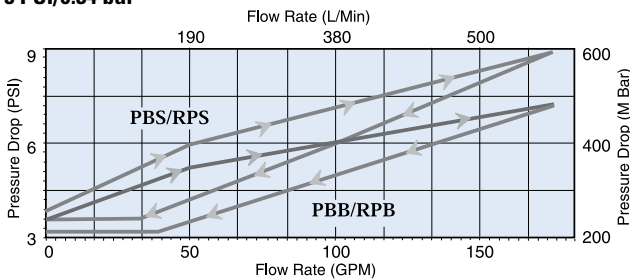




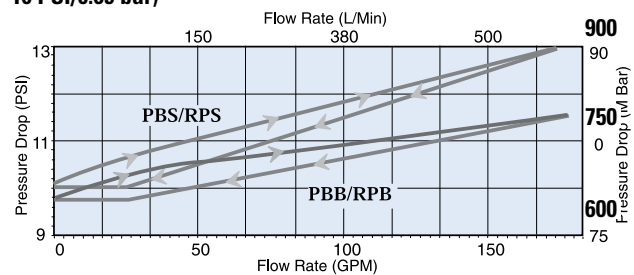
PBB Series Pressure Filler Breather Cap - Bayonet Style

Part No.	Description	Feature	Micron Rating	Airflow Capacity (cfm/lpm)	Relief Valve Setting (psi/mm)	Finish
P563346	PBB-10-5-3S	3" Stainless Basket	10 µm	30/850	5/0.34	Chrome
P563347	PBB-10-5-6S	6" Stainless Basket	10 µm	30/850	5/0.34	Chrome
P563348	PBB-10-5-N	Nylon Basket	10 µm	30/850	5/0.34	Chrome
P563349	PBB-10-5-N-LT	Nylon Basket, Lock Tab	10 µm	30/850	5/0.34	Chrome
P563350	PBB-40-10-N	Nylon Basket	40 µm	30/850	10/0.69	Chrome
P563351	PBB-40-5	Flange, Screws & Gasket, No Basket	40 µm	30/850	5/0.34	Chrome
P563352	PBB-40-5-3S	3" Stainless Basket	40 µm	30/850	5/0.34	Chrome
P563353	PBB-40-5-6S	6" Stainless Basket	40 µm	30/850	5/0.34	Chrome
P563354	PBB-40-5-8S	8" Stainless Basket	40 µm	30/850	5/0.34	Chrome
P563355	PBB-40-5-N	Nylon Basket	40 µm	30/850	5/0.34	Chrome
P563356	PBB-W-10-5-N	Nylon Basket	10 µm	30/850	5/0.34	Epoxy Coated, Black
P563358	PBB-W-40-5-3S	3" Stainless Basket	40 µm	30/850	5/0.34	Epoxy Coated, Black
P563361	PBB-Z-10-5-N	Nylon Basket	10 µm	30/850	5/0.34	Zinc Plated
P563326		3" Stainless Basket Only				
P563465		6" Stainless Basket Only				
P563466		8" Stainless Basket Only				
P563322		4" Nylon Basket Only				

5 PSI/0.34 bar



10 PSI/0.69 bar



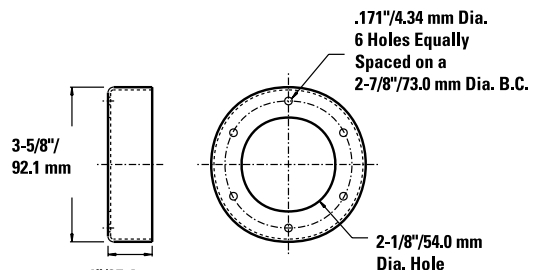
Weld Risers for Filler Breathers

Part No.	Description	Height (in/mm)
P562668	WR-5565	1/25.4



Features

- Steel stamped construction
- Predrilled holes align with standard breather tank flanges
- Provides for easy installation of filler breathers





Reservoir Air Dryer

Water/moisture in fluid tanks and reservoirs is a big problem. It creates corrosion, pump cavitation, viscosity changes, additive dropout, oxidation and a host of other major system issues. Our new Reservoir Air Dryer removes damaging water, while eliminating the need to continually replace conventional desiccant breathers, or to dry fluids with vacuum dehydration units.

How it works. The Reservoir Air Dryer combats ambient ingress of moisture by introducing a steady flow of clean, dry air to the reservoir/tank. This flow of air keeps the relative humidity low in the headspace, driving moisture from the fluids and preventing condensation.

Easy Installation. With no electrical hookups, installation is easy. Just connect compressed air to the inlet and the outlet to the top of the reservoir. A coalescing pre-filter (the only part that needs servicing – takes seconds to replace) and outlet regulator are pre-installed.

Don't Forget The T.R.A.P.™ When you combine the Reservoir Air Dryer with a T.R.A.P. Breather – the complete system keeps moisture and contamination out, even if fluid flow rate out of the tank surpasses the Reservoir Air Dryer flow rate into the tank. The Reservoir Air Dryer also regenerates the T.R.A.P. Breather, increasing life and reducing the total cost of ownership.

If you've got a water problem in your reservoirs or storage tanks, or would like to prevent moisture from entering your system, contact your Donaldson distributor or representative for a complete site audit or for more information.





Reservoir Air Dryer

Features

- Designed to operate with Standard Plant Air — instrument quality air is not required!
- Submicron Coalescing Air Filter — collects oil and water droplets and fine particles present in the inlet air.
- Automatic Drain — purges captured liquid. No intervention required
- Visual Indicator — monitors filter condition
- Membrane Air Dryer — reduces the plant air dew point by as much as 150°F (66°C)
- Pressure Regulator — depressurizes the air and ensures that the proper volume of air is introduced into the reservoir
- The Clean Dry Air Sweep dehydrates the reservoir headspace and removes dissolved moisture from exposed oils and fuels*



*The Reservoir Air Dryer is not recommended for use on gasoline holding tanks, or for the head space of any flammable liquid (Flash Point below 100°F / 38°C)



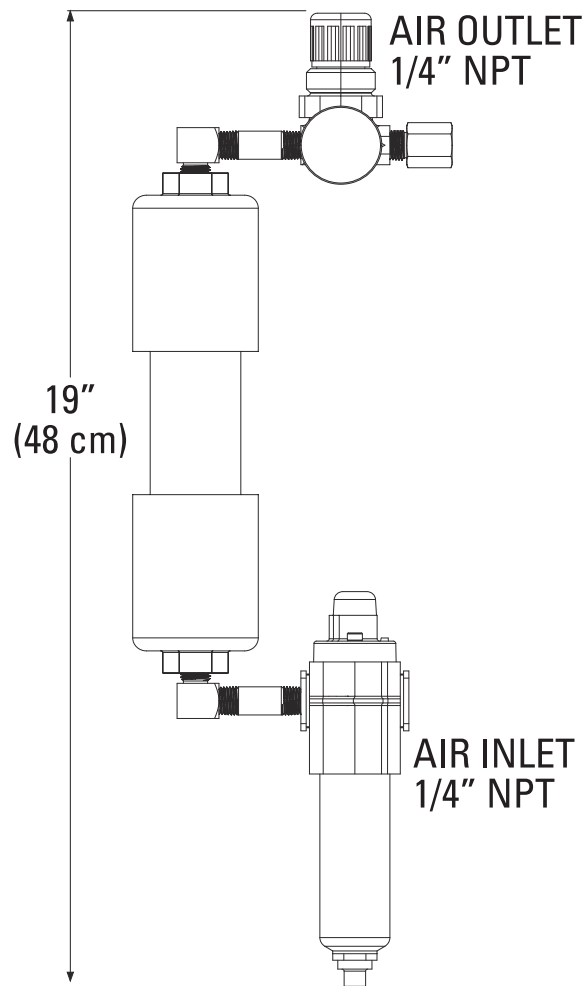
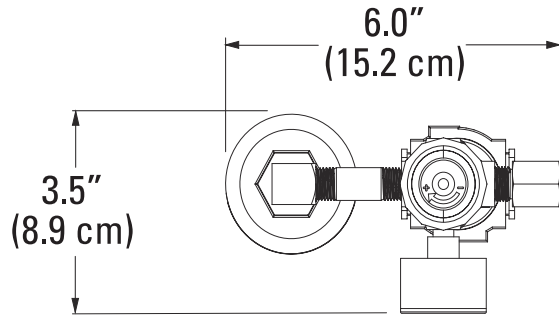
P575852 Reservoir Air Dryer Specifications	
Efficiency	Reduces dew point as much as 150°F (66°C)*
Fluid Compatibility	Petroleum and Phosphate Ester Fluids, Diesel Fuels
Outlet Flow Volume @100 psi and dew point suppression	0.5 scfm (14.2 slpm) maximum
Inlet Air required @ 100 psi	0.8 scfm (22.7 slpm) maximum
Inlet/Outlet	¼" NPT
Pre-Filter Condition	Visual Indicator (Green/Red)
Pressure Regulator	Dial Gauge
Drain Plug	¼" NPT
Coalescer Drain	Automatic Float Type
Electrical	N/A
Max Working Pressure	116 psi (800 kPa / 8.00 bar)
Max Operating Temperature	125°F (52°C)
Mounting Bracket	3/8" - 16 UN Threaded Nut
Weight	<5 lbs (<3 kg)

*The Reservoir Air Dryer is not recommended for use on gasoline holding tanks, or for the head space of any flammable liquid (Flash Point below 100°F / 38°C)
shop.donaldson.com



Reservoir Air Dryer

ACCESSORIES

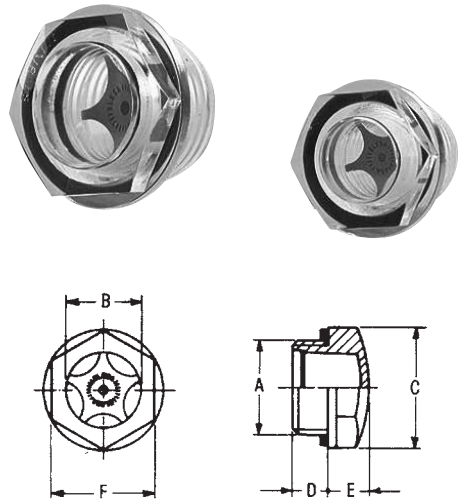




Sight Glasses

Specifications

- Working pressure: 29 psi / 200 kPa / 2 bar
- Transparent polyamid construction
- Shock resistant
- Anodized aluminum reflector
- Operating temperature range:
-20°F to 210°F / -29°C to 100°C
- Nitrile seal
- For use with mineral, petroleum and water-based fluids
- Any contact with alcohol or solvents must be avoided
- Design HFTX



Features

Leak-free sight glasses come in plastic or metal with a variety of threads, seals and lenses. In low visibility areas, prism lens sight glasses are a good solution for quick and accurate readings. In applications involving high pressure or temperatures, steel sight glasses are preferred. Locking nuts provide mounting into sheet metal with minimum thickness and without welding.

Part No.	Description	A - Thread Size	Dimensions (in/mm)				
			B	C	D	E	F
P562419	SG-04	1/4" BSP	.35/9	.71/18	.28/7	.24/6	.59/15
P562420	SG-06	3/8" BSP	.43/11	.87/22	.32/8	.28/7	.75/19
P562421	SG-08	1/2" BSP	.55/14	1.02/26	.32/8	.32/8	.87/22
P562423	SG-08-S	3/4" - 16 UN	.51/13	1.02/26	.59/15	.32/8	.87/22
P562426	SG-12	3/4" BSP	.79/20	1.22/31	.35/9	.39/10	1.06/27
P562427	SG-12-S	1-1/16" - 12 UN	.75/19	1.38/35	.59/15	.39/10	1.18/30
P562430	SG-20	1-1/4" BSP	1.18/30	1.85/47	.47/12	.51/13	1.61/41



Prism Sight Glasses

Specifications

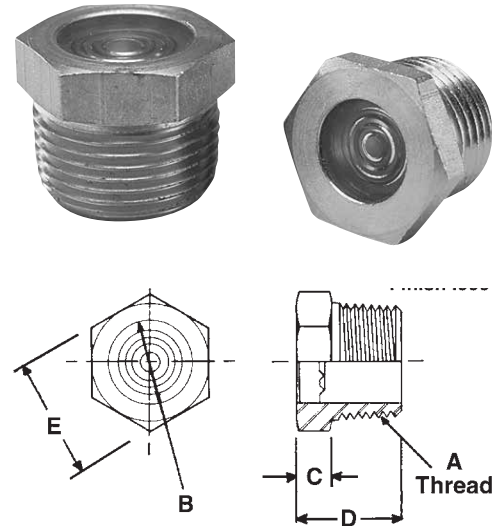
- Prism lenses: special translucent polyamide technopolymer
- For low light applications
- Body: special black polyamide technopolymer
- Available in 3/4" and 1" NPT sizes
- Resistant to solvents, oils, greases, alkaline acids
- Avoid alcohol and detergents containing alcohol
- Flat nitrile seal



Part No.	Description	A -Thread Size	Dimensions (in/mm)				
			B	C	D	E	F
P562417	PSG-12	3/4" NPT	0.70/18	1.38/35	0.40/10	0.33/8.5	1.26/32
P562418	PSG-16	1" NPT	0.90/23	1.70/43	0.43/11	0.36/9	1.50/38

Specifications

- Working pressure: 500 psi / 3,450 kPa / 34.5 bar
- All nickel-plated steel construction
- Glass prism lenses hermetically sealed
- Leak-proof service
- Greater mechanical strength
- Easy installation
- Reflects light in the presence of any liquid
- Maximum operating temp. 500°F / 260°C
- Suitable for petroleum and water based fluids



Part No.	Description	A -Thread Size	Dimensions (in/mm)			
			B	C	D	E
P562408	SVM-04	1/4" NPT	0.34/8	0.19/5	0.44/11	0.63/16
P562409	SVM-06	3/8" NPT	0.44/11	0.22/6	0.5/13	0.75/19
P562410	SVM-08	1/2" NPT	0.56/14	0.22/6	0.56/14	0.94/24
P562411	SVM-12	3/4" NPT	0.75/19	0.31/8	0.63/16	1.06/27
P562412	SVM-16	1" NPT	0.94/24	0.31/8	0.94/24	1.38/35
P562413	SVM-20	1-1/4" NPT	1.19/30	0.41/10	0.81/21	1.75/44
P562414	SVM-24	1-1/2" NPT	1.44/37	0.41/10	0.81/21	2.00/51
P562415	SVM-32	2" NPT	1.88/48	0.41/10	0.88/22	2.50/64



Fluid Level Gauges

Specifications

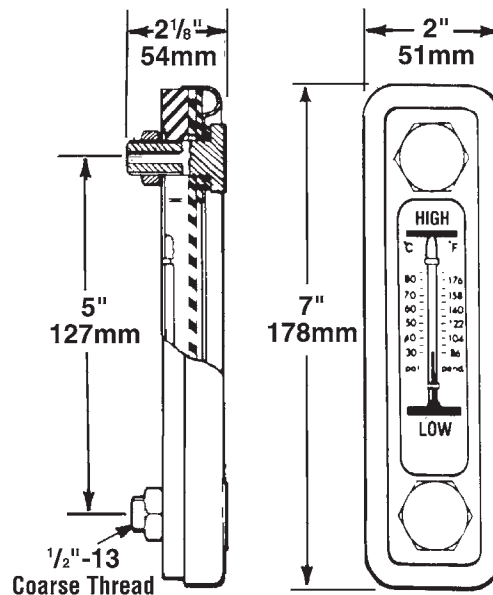
- Steel frame
- Acrylic lens
- Steel zinc plated bolts
- 5" (127mm) mounting bolt centers
- Maximum wall thickness: 1/2" / 12.7mm
- Maximum temperature:
SLT 225°F / 107°C; SLG 180°F / 80°C



SLT-1214
P562433

Features

Donaldson offers a wide variety of fluid level gauges that let you accurately measure fluid levels in your tanks and reservoirs. Gauges are made with transparent lens material and are suitable for lubricants, mineral, petroleum and water based fluids. They offer 180° visibility of fluid level.



Part No.	Desc.	Feature	Seals
P562433	SLT-1214	5"/127mm Level Gauge w/ Red Thermometer, Chrome Steel Frame	Neoprene

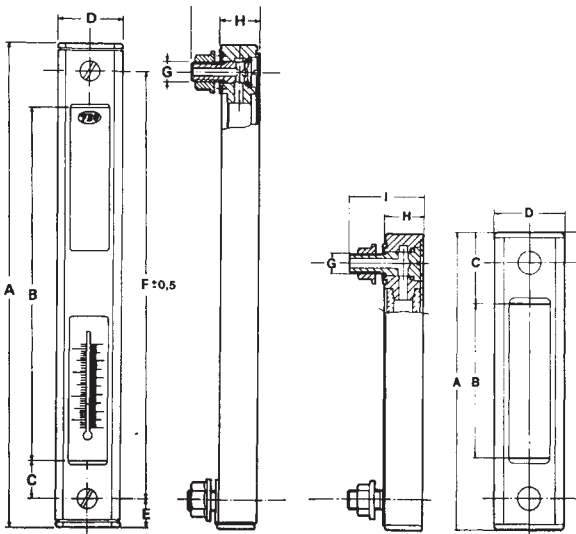
Bolt torque: 15 ft.-lbs./20 Nt-m. Do not exceed 20 ft.-lbs./27 Nt-m.



Fluid Level Gauges

Specifications

- Transparent lens material
- Nitrile seals
- Maximum working pressure for pressurized tanks:
14.5 psi / 1 bar / 100 kPa.
- Oil level and temperature or oil level only
- Temperature scale:
35° to 210°F / 0° to 100°C.



Bolt torque: 10 ft.-lbs/Nt-m.
 Inside nut for tightening directly on the tank.
 Suggested mounting hole diameter: 11mm or 13mm.

Oil Level/Temperature Gauge Specifications (35° - 210°F / 0° - 100°C)

Part No.	Dimensions (in/mm)								
	A	B	C	D	E	F	G-Thread	H	I
P171920	6.22/158	3.22/82	.89/22.5	1.57/40	.61/15.5	5/127	M12 x 1.75	.78/20	1.57/40
P171922	11.22/285	8.23/209	.89/22.5	1.57/40	.61/15.5	10/254	M12 x 1.75	.78/20	1.57/40

Oil Level Gauge Specifications

Part No.	Dimensions (in/mm)								
	A	B	C	D	E	F	G-Thread	H	I
P171918	6.22/158	3.23/82	.89/22.5	1.57/40	.61/15.5	5/127	M12 x 1.75	.78/20	1.57/40
P171913	4.21/107	1.22/31	.89/22.5	1.57/40	.61/15.5	3/76	M10 x 1.5	.78/20	1.57/40

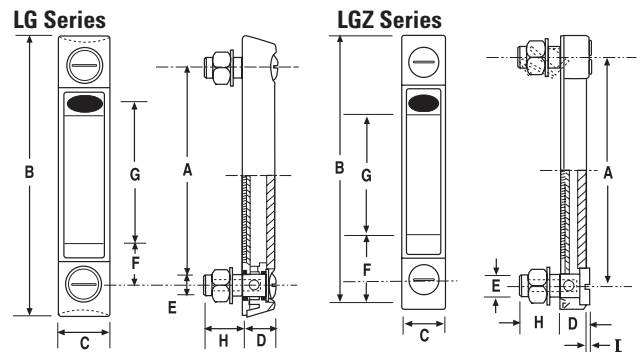


Fluid Level Gauges

Specifications

- Ultrasonically welded polyamide
- Suitable for pressurized reservoirs
- Operating temperature range:
-20°F to 212°F / -29°C to 100°C
- Scale: 32°F to 212°F / 0°C to 100°C
- Maximum wall thickness:
- LG-3 - 1/2" / 12.7mm
- LG-5/LG-10 - 3/8" / 8.3mm
- Nitrile O-Ring seals
- Zinc plated bolts
- Metric bolts

Note: Any contact with alcohol, alcohol-based washing fluids, or petroleum distillates must be avoided. Do not chamfer tank mounting holes. Not for water-glycol applications

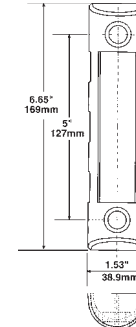


LG-3 FM option E dia. = 0.625 (5/8)
LG-5, 10 FM option E dia. = 0.688 (11/16)

Options:

- 1/2"-13 bolts (LG-5)
- Protective guard (LG-5)
- Fluorocarbon seals
- Red and blue thermometers
- Alcohol resistant version
- Fast mount kit (requires no internal access or threads to mount)

LG-5G Guard



Bolt torque: 9 ft.-lbs./12 Nt-m
(7 ft.-lbs./9.5 Nt-m fast mount)

Fluid Level Gauge Guard (LG-5 Series only)

Part No.	Description	Feature	Dimensions (in/mm)			
			Bolt Center A	B	C	D
P562453	LG-G	5\"/>				



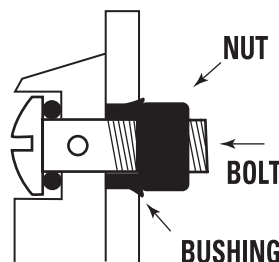
Transparent Polyamide Fluid Level Gauges

Level Gauge Choices

Part No.	Description	Feature	Dimensions (in/mm)									
			Bolt Center			Hole Dia.						
			A	B	C	D	E	Bolt Size	F	G	H	I
P562438	LG-3	3" Level Gauge	3.00/76	4.17/106	1.06/27	.63/16	.42/10	M10 x 1.5	.71/18	1.31/33	.83/21	
P562440	LG-3-FM	3" Level Gauge with Fast Mount kit	3.00/76	4.17/106	1.06/27	.63/16	.625/16	M10 x 1.5	.71/18	1.31/33	.83/21	
P562441	LG-3-T	3" Level Gauge with Red Thermometer	3.00/76	4.17/106	1.06/27	.63/16	.42/10	M10 x 1.5	.71/18	1.31/33	.83/21	
P562442	LG-3-TB	3" Level Gauge with Blue Thermometer	3.00/76	4.17/106	1.06/27	.63/16	.42/10	M10 x 1.5	.71/18	1.31/33	.83/21	
P562454	LG-Z-3	3" Level Gauge	3.00/76	3.90/99	.90/22	.57/14.5	.42/10	M10 x 1.5	.70/18	1.30/33.6	.90/23	0.06/1.5
P562444	LG-5	5" Level Gauge	5.00/127	6.34/161	1.22/31	.71/18	.47/12	M12 x 1.75	.90/23	2.91/74	.90/23	
P562445	LG-5-13	5" Level Gauge with 1/2" -13 bolt kit	5.00/127	6.34/161	1.22/31	.71/18	.50/13	1/2" - 13 UNC	.90/23	2.91/74	.90/23	
P562447	LG-5-FM	5" Level Gauge with Fast Mount kit	5.00/127	6.34/161	1.22/31	.71/18	.688/17.5	M12 x 1.75	.90/23	2.91/74	.90/23	
P562448	LG-5-T	5" Level Gauge with Red Thermometer	5.00/127	6.34/161	1.22/31	.71/18	.47/12	M12 x 1.75	.90/23	2.91/74	.90/23	
P562449	LG-5-T-13	5" Level Gauge with Red Thermometer & 1/2"-13 bolt kit	5.00/127	6.34/161	1.22/31	.71/18	.50/13	1/2" - 13 UNC	.90/23	2.91/74	.90/23	
P562450	LG-5-TB	5" Level Gauge with Blue Thermometer	5.00/127	6.34/161	1.22/31	.71/18	.47/12	M12 x 1.75	.90/23	2.91/74	.90/23	
P562451	LG-5-T-FM	5" Level Gauge with Red Thermometer & Fast Mount kit	5.00/127	6.34/161	1.22/31	.71/18	.688/17.5	M12 x 1.75	.90/23	2.91/74	.90/23	
P563913	LG-5-T-G	5" Level Gauge with Red Thermometer & Guard	5.00/127	6.34/161	1.22/31	.71/18	.47/12	M12 x 1.75	.90/23	2.91/74	.90/23	
P562452	LG-5-T-SS	5" Level Gauge with Red Thermometer, Stainless Bolt kit	5.00/127	6.34/161	1.22/31	.71/18	.47/12	M12 x 1.75	.90/23	2.91/74	.90/23	
P562456	LG-Z-5	5" Level Gauge	5.00/127	5.9/150	.90/22	.57/14.5	.47/12	M12 x 1.75	.93/23.5	2.90/73.7	.90/23	0.06/1.5
P562458	LG-Z-5-V	5" Level Gauge with Fluorocarbon seals	5.00/127	5.9/150	.90/22	.57/14.5	.47/12	M12 x 1.75	.93/23.5	2.90/73.7	.90/23	0.06/1.5
P562434	LG-10	10" Level Gauge	10.00/254	11.42/290	1.38/35	.71/18	.47/12	M12 x 1.75	1.02/26	7.60/193	.90/23	
P562435	LG-10-LF	10" Level Gauge w/ Level Float	10.00/254	11.42/290	1.38/35	.71/18	.47/12	M12 x 1.75	1.02/26	7.60/193	.90/23	
P562436	LG-10-T	10" Level Gauge w/ Red Thermometer	10.00/254	11.42/290	1.38/35	.71/18	.47/12	M12 x 1.75	1.02/26	7.60/193	.90/23	
P562437	LG-10-TB	10" Level Gauge w/ Blue Thermometer	10.00/254	11.42/290	1.38/35	.71/18	.47/12	M12 x 1.75	1.02/26	7.60/193	.90/23	
P563909	LG-10-TB-SS	10" Level Gauge w/ Blue Thermometer & Stainless Bolt kit	10.00/254	11.42/290	1.38/35	.71/18	.47/12	M12 x 1.75	1.02/26	7.60/193	.90/23	

Fast-Mount Kits

Part No.	Description
P563513	LG-3/3T
P563514	LG-5/5T, 10/10T



Fast Mount Assembly Instructions

Installation: Tighten nuts on bolts to the point where nuts are snug against bushings. Apply one drop of thread lock to last exposed thread at end of bolts. Mount on tank and tighten to 7 ft.-lbs./1kg-m. **(DO NOT OVER-TIGHTEN).**

Removal: Loosen bolts and remove. (IMPORTANT: THREAD LOCK PREVENTS OVER-LOOSENING OF BOLTS TO POINT WHERE NUTS DROP OFF INTO TANK.)