



Fuel Filtration

108 mm / 4.25" Filter Diameter



108 mm Spin-on Filter Assembly

Max Flow Rate

Primary / Secondary: 600 lph / 160 gph
See filter chart for flow rates

Operating Pressure

210 kPa / 0-30 psi with bowl
690 kPa / 0-100 psi without bowl

Temperature Range

-40 °C to 121 °C / -40 °F to 250 °F

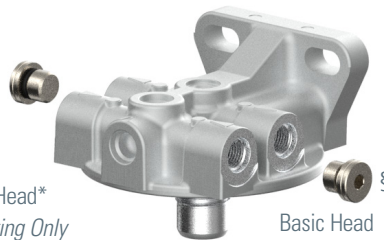
Fuel Compatibility

#1 or #2 Diesel, Kerosene,
Biodiesel up to B20 and JP8



Priming Pump Head*
Chassis Mounting Only
M16 x 1.5 Ports
PART NO. P579972

M18 x 1.5 Ports
PART NO. P579979



Basic Head
M14 x 1.5 Ports
PART NO. P576071

M16 x 1.5 Ports
PART NO. P576072

† *Optional*
Filter indicators and
switches available



PRIMARY
Spin-on Fuel Filter
Water Separator

SECONDARY
Spin-on
Fuel Filter



Clear Water
Collection Bowl
PART NO. P552860



Standard
Twist&Drain™ Valve
‡ **PART NO. P571330**



Twist&Drain™ Valve
1/2"-20 UNF
Threaded Sensor Port
PART NO. P550865



Twist&Drain™ Valve with
Passive Water-in-Fuel
Sensor

Packard Terminal
PART NO. P570618

Deutsch Terminal
PART NO. P570619



Twist&Drain™ Valve with
Digital Water-in-Fuel Sensor
Tyco/AMP Terminal
PART NO. P572227

Deutsch Terminal
PART NO. P570349

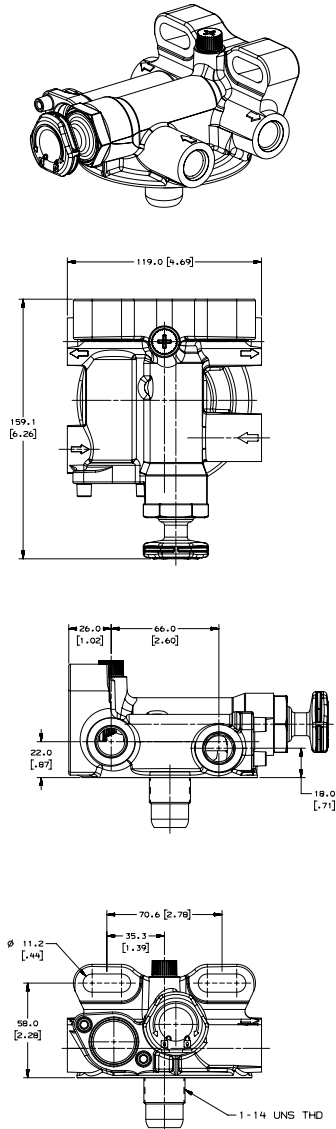


Water in Fuel Sensor & Display Kit
PART NO. X220112
Lead times may apply



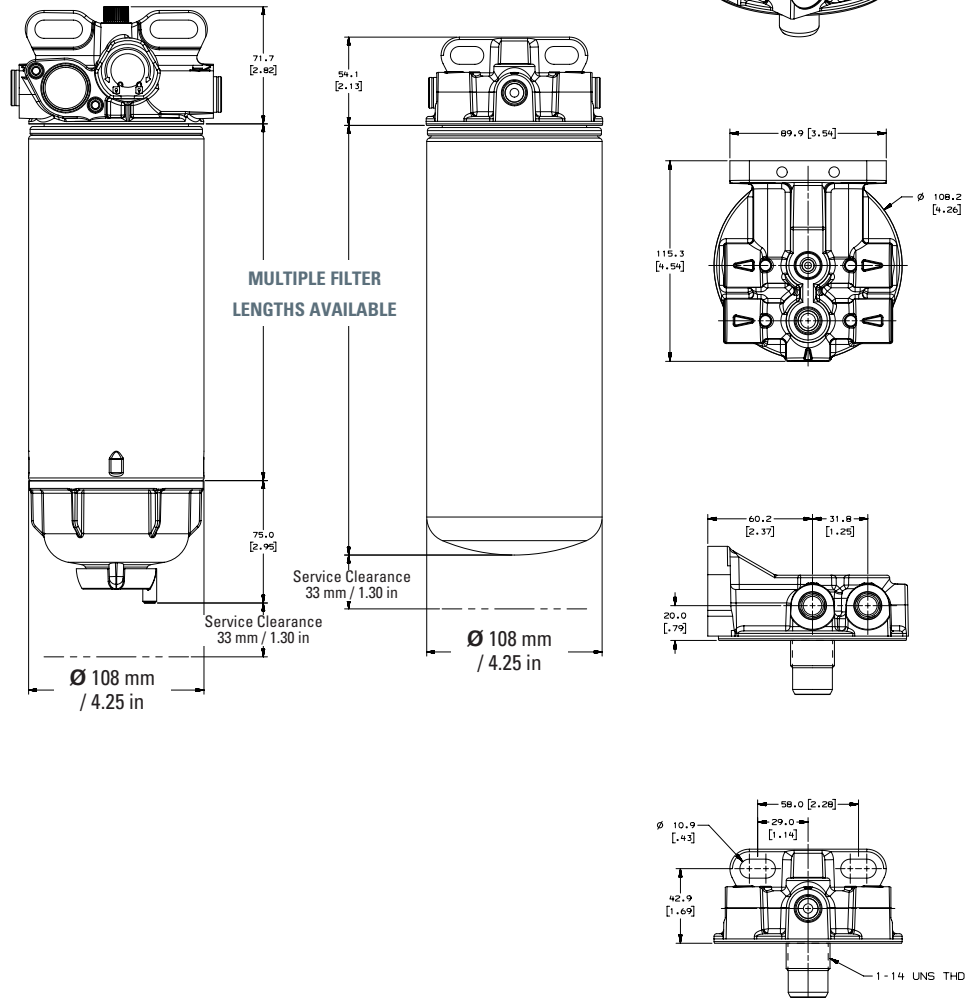
Specification Illustrations

PRIMING PUMP HEAD *



Priming Pump Head
M16 x 1.5 Ports
PART NO. P579972*
M18 x 1.5 Ports
PART NO. P579979*

BASIC HEAD *



Basic Head
M14 x 1.5 Ports
PART NO. P576071
M16 x 1.5 Ports
PART NO. P576072




NOTES

- * Priming pump head lead times may apply.
 - † Optional filter indicators and switches available.
 - ‡ Long pin WIF sensor available for extended servicing intervals.
 - § Heads include two plugs for use in either the inlet or outlet port positions.
- Contact your Donaldson sales representative for more details.**




Filter Selection Chart



Filter Style	Maximum Recommended Flow Rate		(C) Filter Length*		Media Type	Efficiency @ 99% per ISO 19438	Part Number	
	lph	gph	mm	in.				
Primary								
Standard Drain 	230	60	147.1	5.79	Syn-teq Synthetic	4 µm	P551055	
						10 µm	P551056	
						30 µm	P551057	
	340	90	173.1	6.81		4 µm	P551065	
						10 µm	P551066	
						30 µm	P551067	
	450	120	243.7	9.60		4 µm	P551075	
						10 µm	P551076	
	600	160	243.7	9.60		30 µm	P551077	
						10 µm	P551026	
	Wide Thread Style Filter 	230	60	120.5		4.74	4 µm	P552851
							10 µm	P552852
30 µm					P552853			
340		90	146.5	5.77	4 µm	P552854		
					10 µm	P552855		
					30 µm	P552856		
Service filter only. Requires bowl and drain.		450	120	216.9	8.54	4 µm	P552857	
						10 µm	P552858	
		600	160	216.9	8.54	30 µm	P552859	
						10 µm	P581392	
Filter and Bowl Kit								
Wide Thread Style Filter with Drains † 		230	60	120.5	4.74	Syn-teq Synthetic	4 µm	P559851
	10 µm						P559852	
	30 µm						P559853	
	340	90	146.5	5.77	4 µm		P559854	
					10 µm		P559855	
					30 µm		P559856	
	450	120	216.9	8.54	4 µm		P559857	
					10 µm		P559858	
	600	160	216.9	8.54	30 µm		P559859	
					10 µm		P581387	

* Wide Thread Style Water Collection Bowl (part no. P552860) adds 75 mm / 2.95 in. to filter length.

† Kit includes both a Standard Drain and 1/2"-20 UNF Threaded Sensor Port

Filter Style	Maximum Recommended Flow Rate		(C) Filter Length		Media Type	Efficiency @ 99.9% per ISO 19438	Part Number
	lph	gph	mm	in.			
Secondary							
No Drain 	600	160	262.0	10.31	Syn-teq XP	4 µm	DBF9092





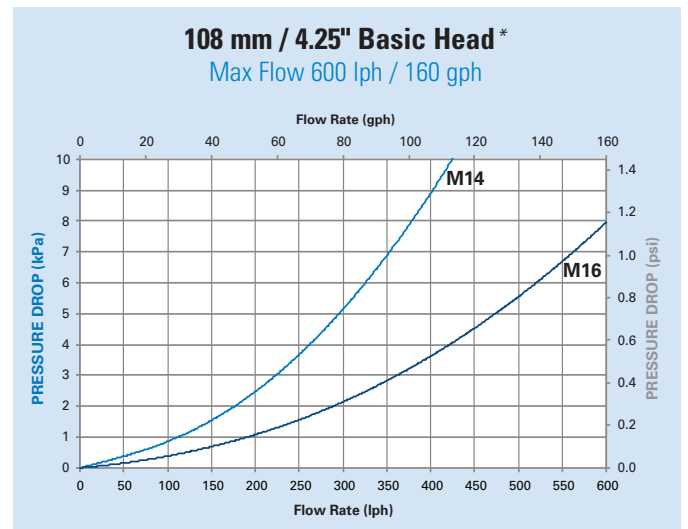
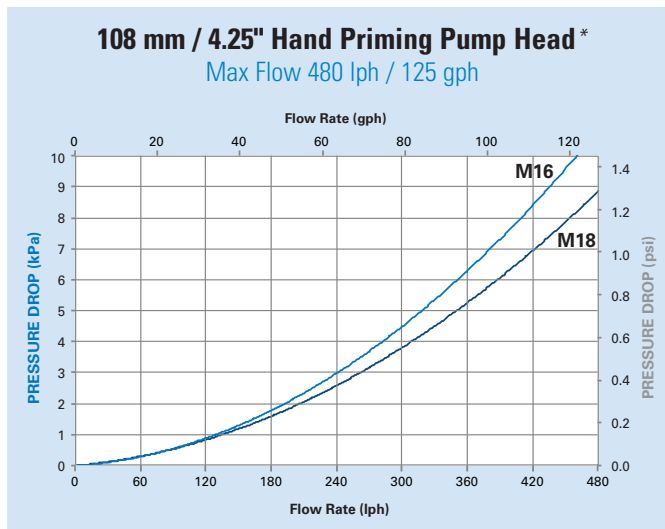
Restriction Indicators

Type / Material	Setting	Thread	Part Number
Visual / Mechanical Indicator			
Electric Plated Nickel Steel Thread / Chemical Resistant Nylon	10 inHg	M14x1.5 Male	JM56501-00585*
Electrical Switch			
Zinc Nickel Plated Steel Thread	10 inHg	M14x1.5 Male	JM56389-00610*
Wire Harness Adaptor			
Packard for Switches / Flying Leads	N/A	N/A	P633875

For installation on suction side of head assembly in suction applications


* Lead times apply. Please contact your Donaldson sales representative for lead time details.

Performance Curves



* Filter elements add an additional 1-2 kPa (0.14 - 0.29 psi) restriction to filter assembly at the max recommended flow rate.

Water in Fuel Sensor & Dashboard Display Kit

WIF and Display Kit	Part Number
	X220112*

This kit contains a WIF sensor drain valve with electrical plug, wiring loom and a dash mount LED display.

- Detects separated water in both filter and water collection bowl
- Adjustable LED display brightness
- Automatically resets display after water is drained
- Can be used with any Donaldson Twist&Drain™ style fuel filter

* Lead times may apply. Please contact your Donaldson sales representative for lead time details.