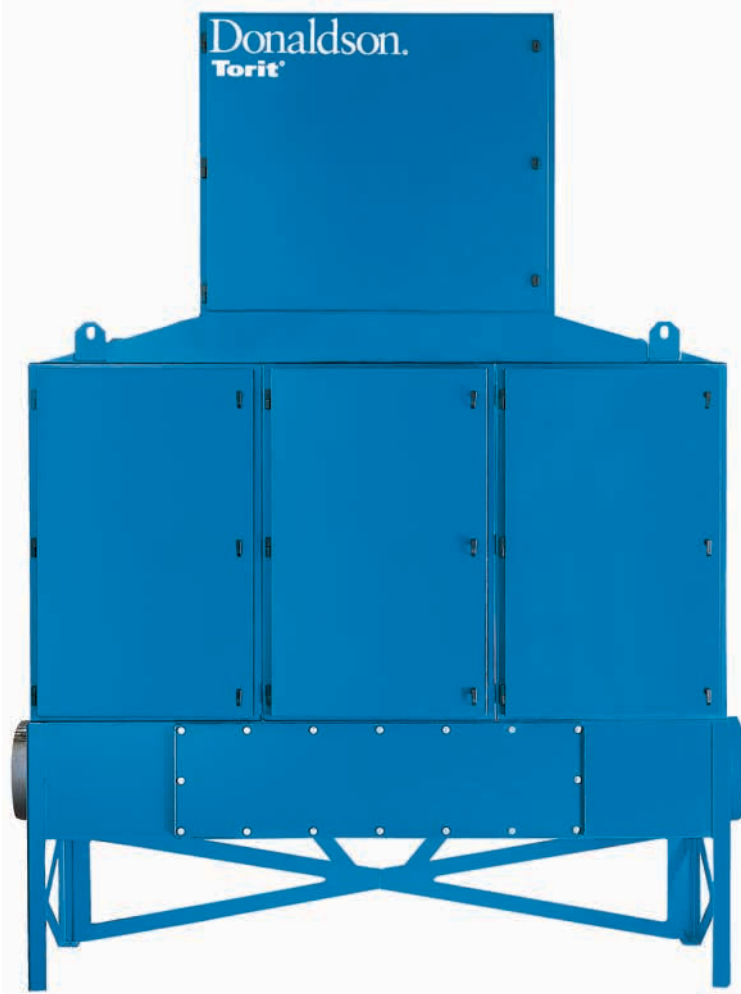


Donaldson.
Torit®

MODULAR MEDIAFILTER™ VERTICAL SERIES

MODELS MDV-1, MDV-2, AND MDV-3



MDV-3

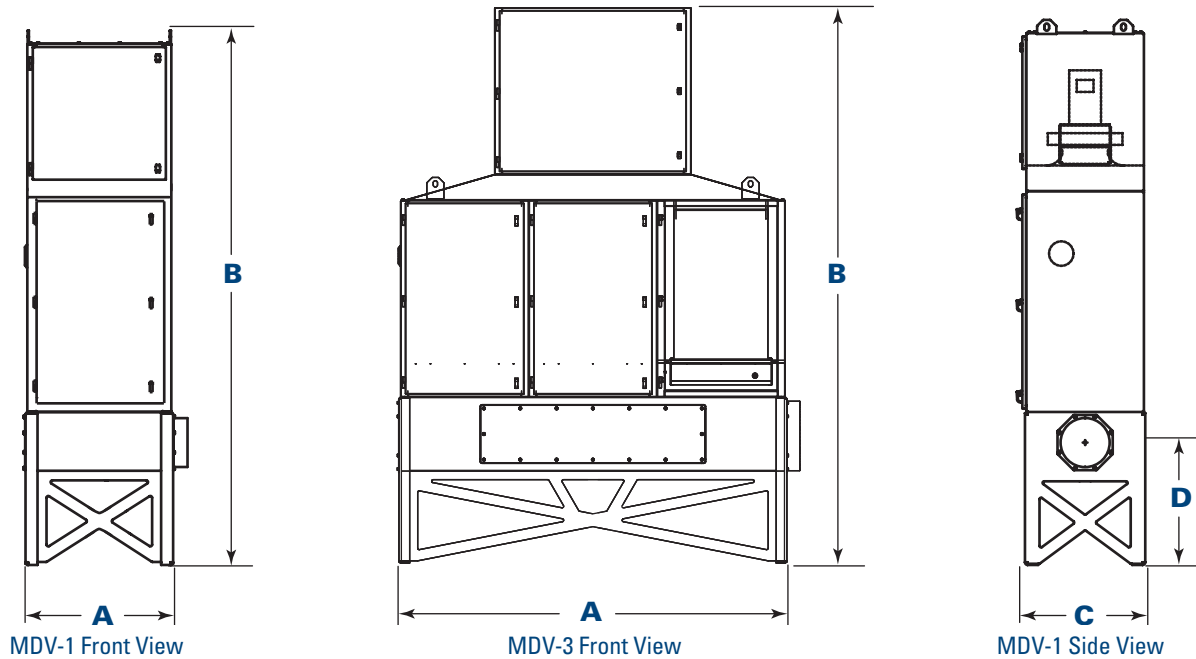


MDV-1

High performance mist collectors designed to filter mist, smoke, and dust from wet grinding, wet machining, soldering / brazing, die casting, and other metal making applications.

- Three-stage filtration for high filtration efficiency and optimum filter life
- Versatile design handles coolant mist, wetted dust and swarf, liquids and smoke in tough applications
- High efficiency airfoil fan with NEMA Premium® Efficiency Electric Motor maximizes performance and reduces operating costs
- Vertical orientation enhances filter drainage and improves vee-bag filter life
- Variety of design layouts and filter choices for both flexibility and expandability
- Larger custom sizes available
- Provides a cleaner work environment for maximum productivity
- Helps support OSHA Clean Air Standards

DIMENSIONS & SPECIFICATIONS



Model	Nominal Airflow**		Filter Area Primary Filter		Motor (hp)	Inlet Collar		Dimensions								Shipping Weight	
								A		B		C		D			
	cfm	m ³ /h	ft ²	m ²		in	mm	in	mm	in	mm	in	mm	in	mm	lb	kg
MDV-1	1000 2000	1699 3397	126	11.7	1.5 3	10	254.0	30.8	782.3	113.6	2885.4	25.1	637.5	25.5	647.7	790	358.3
MDV-2	2000 4000	3397 6795	252	23.4	3 7.5	14	355.6	60.8	1544.3	127.9	3248.7	25.1	637.5	28.8	731.5	1325	601.0
MDV-3	3000 6000	5096 10192	378	35.1	5 10	16	406.4	90.8	2306.3	129.9	3299.5	25.1	637.5	29.8	756.9	1800	816.5

EQUIPMENT OPTIONS

Prefilter - Impinger - 4" (101.6 mm) Multi-Vee - First-stage high efficiency filter, 24 x 24 x 4 inches (609.6 x 609.6 x 101.6 mm)	2" (50.8 mm) P-Trap with optional Y-Strainer assembly HEPA or 95% D.O.P. filter module, 24" x 24" x 11.5" (609.6 x 609.6 x 292.1 mm) with Minihelic®* gauge Sprinkler head
--	--

* Minihelic is a registered trademark of Dwyer Instruments, Inc. ** Based on clean filters @ 3-4 "wg (76.2-101.6 mm of H2O) ESP. Donaldson Torit equipment is designed to IBC guidelines for specific wind speed exposure and seismic spectral acceleration at grade level. Contact your Donaldson Torit representative for detailed information available on the equipment's Spec Control drawings. Equipment may be customized to meet unique, customer-specified site requirements.

Significantly improve the performance of your collector with genuine Donaldson Torit replacement filters and parts. **Call Donaldson Torit at 800-365-1331.**

Important Notice

Many factors beyond the control of Donaldson can affect the use and performance of Donaldson products in a particular application, including the conditions under which the product is used. Since these factors are uniquely within the user's knowledge and control, it is essential the user evaluate the products to determine whether the product is fit for the particular purpose and suitable for the user's application. All products, product specifications, availability and data are subject to change without notice, and may vary by region or country.



Donaldson Company, Inc.
 Minneapolis, MN
donaldsontorit.com • shop.donaldson.com

North America
 Email: donaldsontorit@donaldson.com
 Phone: (USA): +1-800-365-1331 • (MX): +1-800-343-36-39

Australasia
 Email: marketing.australia@donaldson.com
 Phone: +61-2-4350-2000
 Toll Free: (AU) +1800-345-837 • (NZ) +0800-743-387

F118154 ENG (02/20) Modular MediaFilter Vertical Series Ambient and Source Mist Collectors ©2011-2020 Donaldson Company, Inc.
 Donaldson, Torit, MediaFilter, and the color blue are marks of Donaldson Company, Inc. All other marks belong to their respective owners.

China
 Email: info.cn@donaldson.com
 Phone: +86-400-820-1038

Donaldson Europe B.V.B.A.
 Email: IAF-europe@donaldson.com
 Phone: +32-16-38-3811

India
 Email: info.difs@donaldson.com
 Phone: +91-124-4807-400 • +18001035018

Japan
 Email: jp-ndl.ifsw@donaldson.com
 Phone: +81-42-540-4112

Korea
 Email: iaf-kr@donaldson.com
 Phone: +82-2-517-3333

Latinoamerica
 Email: IndustrialAir@donaldson.com
 Phone: +52-449-300-2442

South Africa
 Email: SAMarketing@donaldson.com
 Phone: +27-11-997-6000

Southeast Asia
 Email: IAFSEA@donaldson.com
 Phone: +65-6311-7373