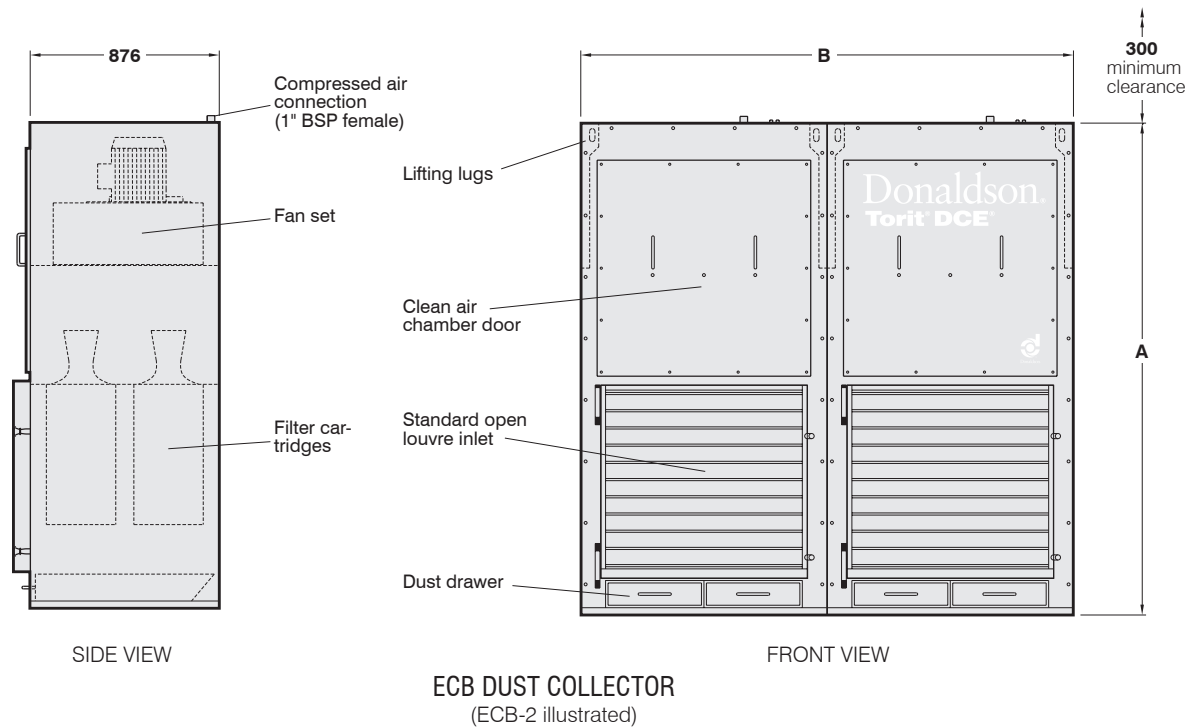


Environmental Control Booth Dust Collector



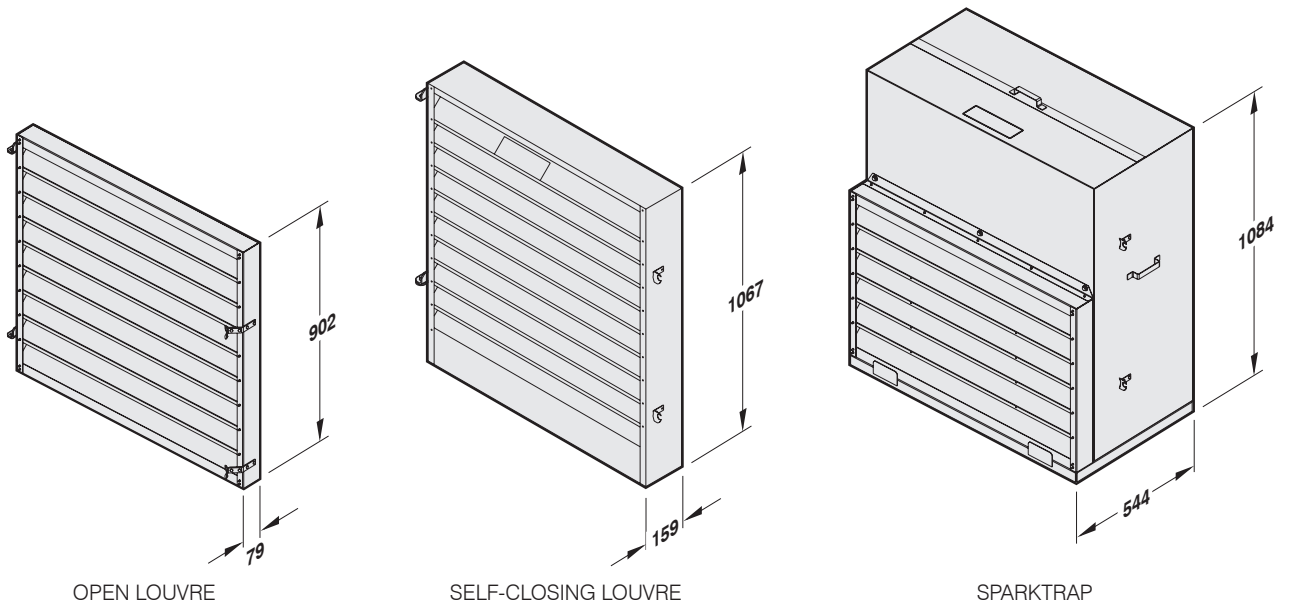
Model	Number of fan sets	Number of filter cartridges	Filtration area		DIMENSIONS in mm		Net weight (approx.)
			Ultra Web®	Fibra Web®	A	B	
ECB FM	0	6	126 m ²	61.8 m ²	1613	1143	300 kg
ECB PM	1	6	126 m ²	61.8 m ²	2286	1143	560 kg
ECB-2	2	12	252 m ²	124.0 m ²	2286	2286	1120 kg
ECB-3	3	18	378 m ²	185.4 m ²	2286	3429	1680 kg
ECB-4	4	24	504 m ²	248.0 m ²	2286	4572	2240 kg

FM = Filtration Module PM = Power Module

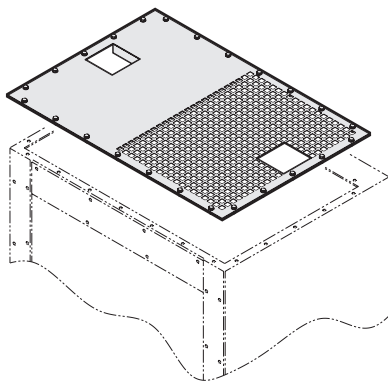
DESIGN SPECIFICATIONS (standard equipment)

- Operating temperature:** -10° to +65°C
- Maximum operating pressure range:** ±5 kPa (500 mm WG)
- Wind load rating:** 160 km/h
- Finishing:** Colour RAL 5019 (blue) – textured paint 480 line

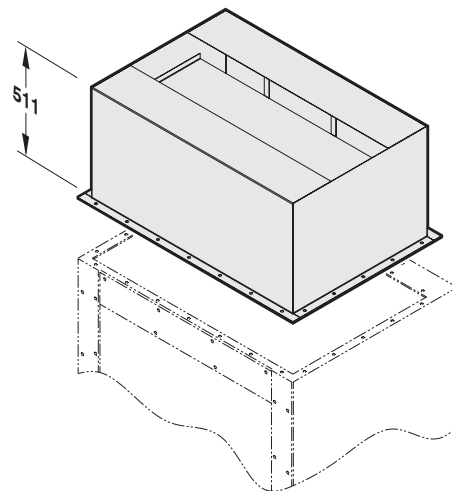
ECB Dust Collectors



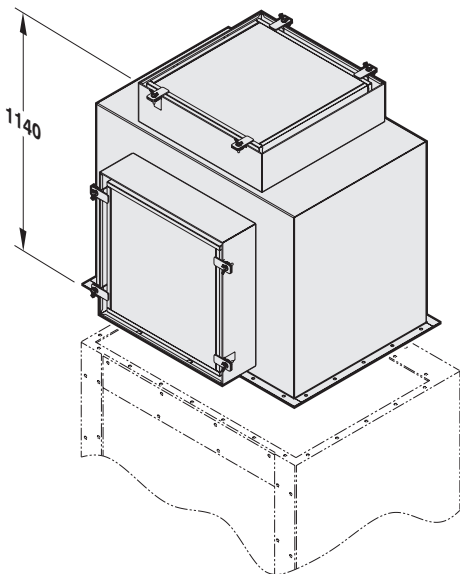
DIRTY AIR INLET OPTIONS



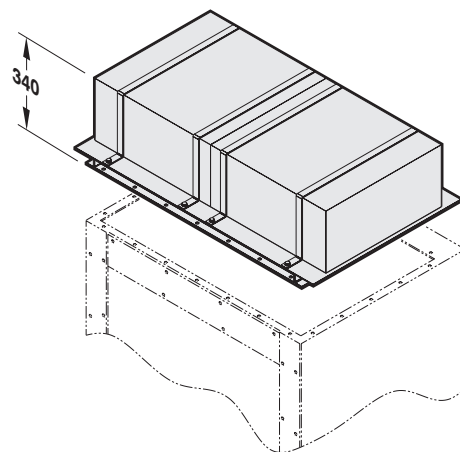
STANDARD ROOF PACK



SILENCER PACK

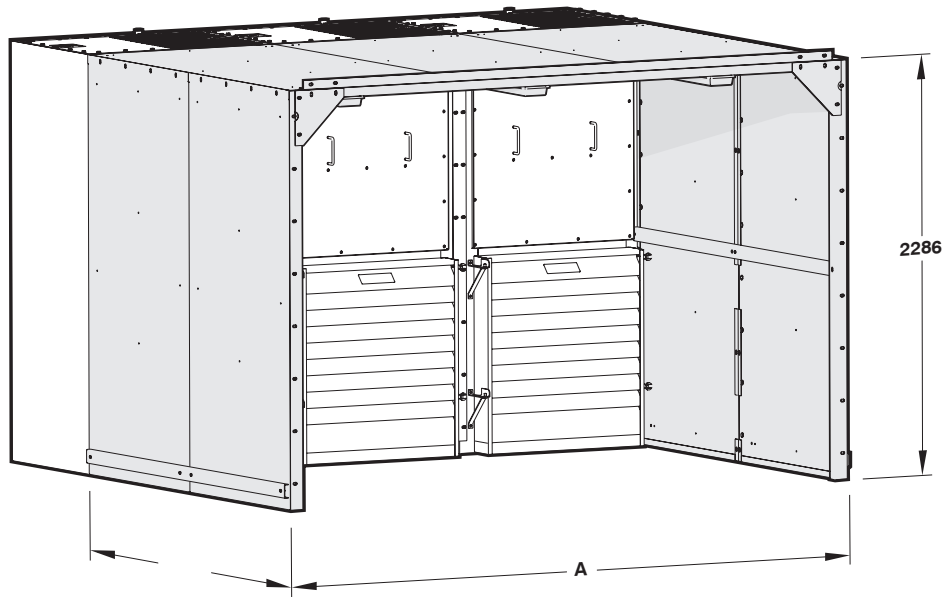


STANDARD HEPA AFTERFILTER



HEPA AFTERFILTER – VERTICAL FLOW
(For ECB Power Module only)

CLEAN AIR OUTLET OPTIONS



BOOTH PACK WITH LIGHTING FIXTURES
(Booth Pack for ECB-3 illustrated)

BOOTH PACK SPECIFICATIONS

Booth Pack	Width (A) of booth	Approx. net weight (booth only)
ECB-2	2286 mm	300 kg
ECB-3	3429 mm	450 kg
ECB-4	4572 mm	600 kg

For information on larger configurations, please contact your local Donaldson representative

COMPRESSED AIR REQUIREMENTS

- Max. 7 bar
- Pressure range 6-7 bar
- Clean air (max. particle size 50 µm)
- Free of condensate at working temperature
- Max. oil content: 3 mg/m³
- Approx. compressed air usage*: ±50 Nlitres per pulse
(±18 Nm³/h for 10 s pulse interval at 7 bar)

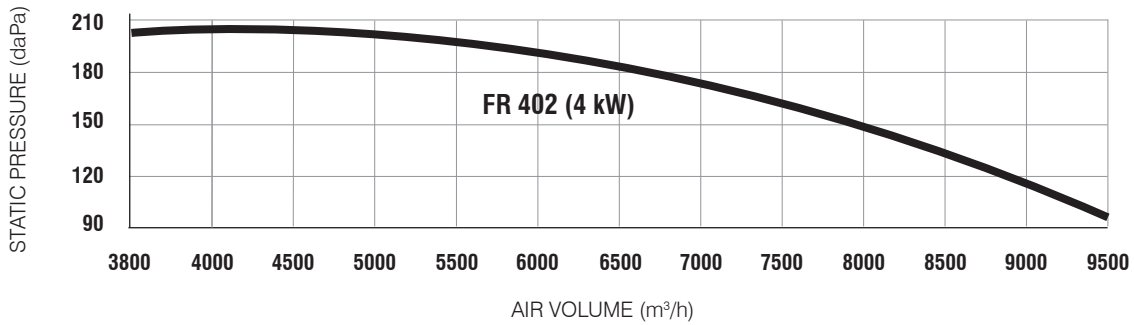
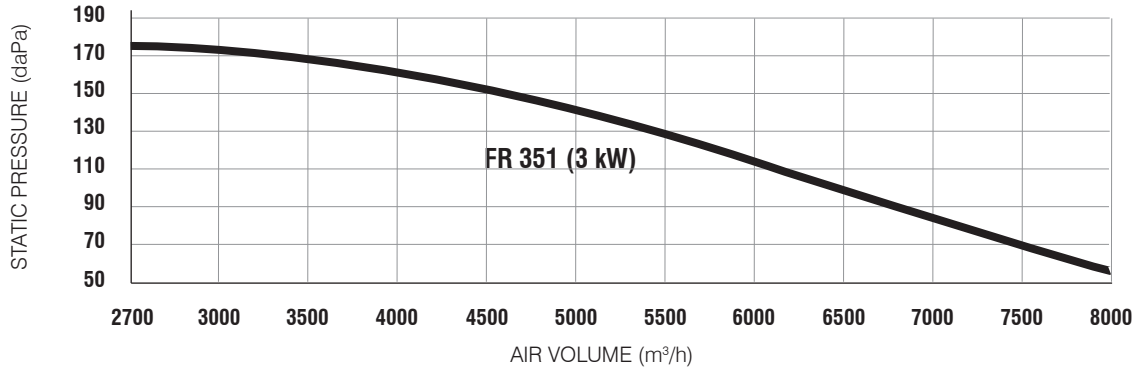
* The indicated value is the consumption per valve

PULSE NOISE LEVEL *

- LpAeq: ≤ 75 dB (A-weighted equivalent continuous sound pressure level)
- ΔLi: ≤ 10 dB (impulsive noise content)

* Measurement according to DIN 45635/1 at 1m distance, with 6 bar compressed air pressure, pulse interval of 15s, semi-free field conditions and usual tolerance ±2 dB.

FAN PERFORMANCE CURVES



FAN SELECTION

These curves indicate static pressure available at fan inlet for a given application, when fitted into a collector.

To select the most suitable fan for a given application:

- 1 Determine the air volume, in m³/h, needed to entrain the dust.
- 2 Estimate pressure drop through connected system – i.e. between point of entrainment and collector inlet.
- 3 Assess pressure drop over dust collector, prior to replacing filter cartridges, usually 100 daPa.
- 4 The sum of **2** and **3** = static pressure at inlet.
- 5 Consult graph for fan performance available.

ELECTRICAL SPECIFICATIONS

Controls

Full automatic cleaning mechanism:	Torit Control Board or IPC / IPC (ΔP) Controller	Voltage input: 400V AC; 3 ph; 50 Hz;
Pulse time:	100 ms	Control box protection class: IP65
Interval time:	10 s	Solenoid voltage: 24V DC

OPTIONS

- Full range of filter cartridges
- Pulse noise attenuation down to LpAeq \leq 70 dB
- Compressed air – oil/water separator and accessories
- Earthing connection
- Joining pack for connecting two modules
- Dowlndraft bench
- ATEX certified unit on request



www.toritdce.com
www.donaldson.com

Humberstone Lane
Thurmaston
Leicester LE4 8HP
England

Tel +44 (0)116 269 6161
Fax +44 (0)116 269 3028
Email: IFS.uk@emea.donaldson.com

Research Park Zone 1
Interleuvenlaan 1
B-3001 Leuven (Heverlee)
Belgium

Tel +32 (0)16 383 970
Fax +32 (0)16 383 938
Email: IFS.be@emea.donaldson.com