



Donaldson
FILTRATION SOLUTIONS

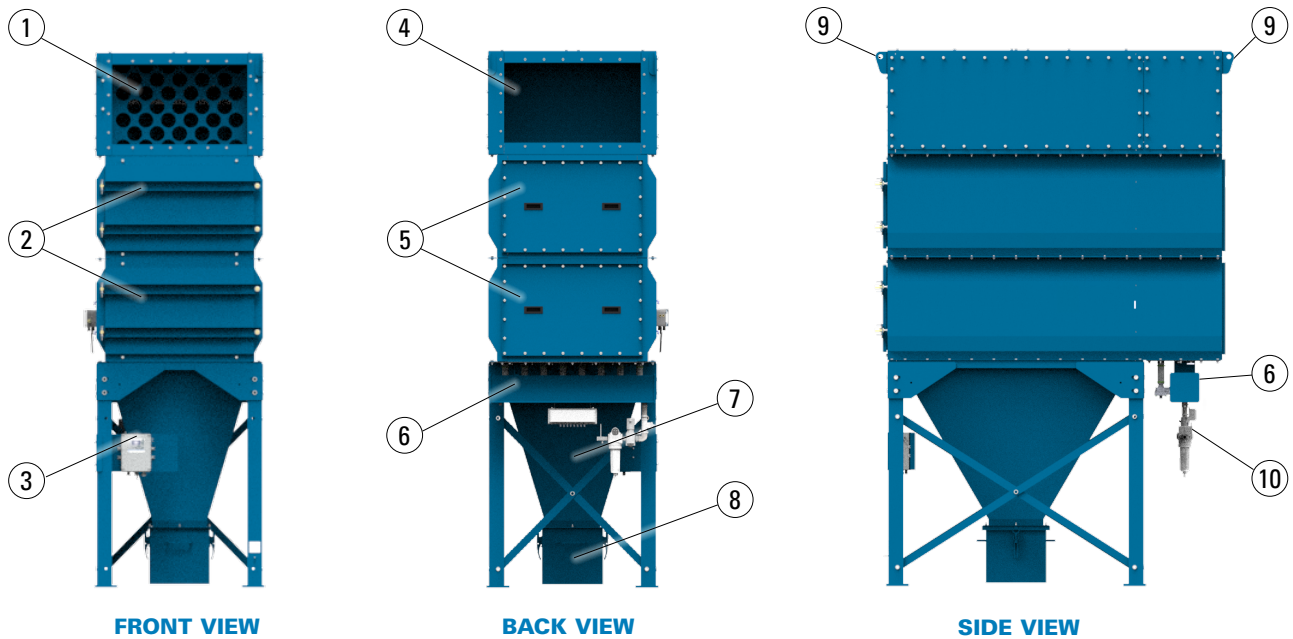
TECHNICAL DATASHEET

DLMC G2 Dust Collectors

Series DLMC G2



DESIGN SPECIFICATIONS



model 1/2/16 with hook-on dustbin (front inlet) shown

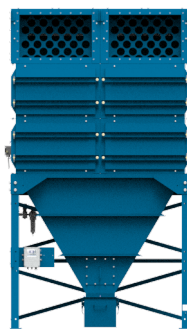
- | | |
|----------------------------------|--|
| ① Dirty air plenum inlet (front) | ⑥ Manifold |
| ② Service door | ⑦ Hopper |
| ③ Controller | ⑧ Dust disposal system |
| ④ Clean air plenum outlet | ⑨ Lifting lug |
| ⑤ Inspection cover | ⑩ Oil/water separator and Pressure regulator |

single bank



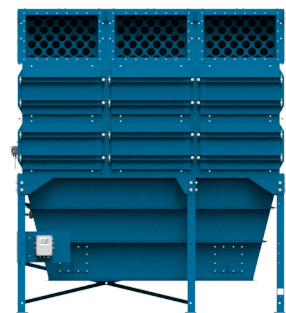
1/2/16 shown

double banks



2/3/48 shown

triple banks



3/2/48 shown

DESIGN LIMITS

- Operating temperature:** -10° to +60°C
 - Maximum operating pressure:** -5 kPa (500 mm WG)*
 - Wind load rating:** 112 km/h
 - Finishing:** Acrylated alkyd paint colour RAL 5019 (blue)- semi gloss
- * for use in positive pressure contact engineering

MODEL OVERVIEW

*optional side inlet available



1/2/16



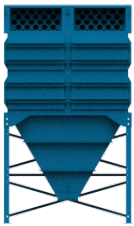
1/3/24



1/4/32*



1/5/40*



2/2/32



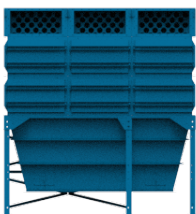
2/3/48



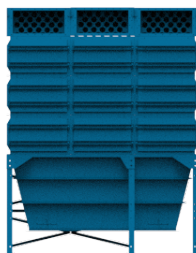
2/4/64*



2/5/80*



3/2/48



3/3/72

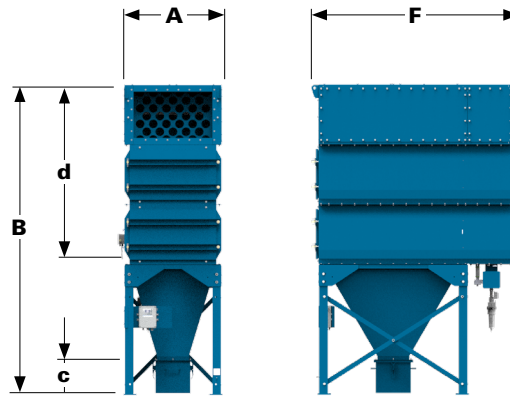


3/4/96*



3/5/120*

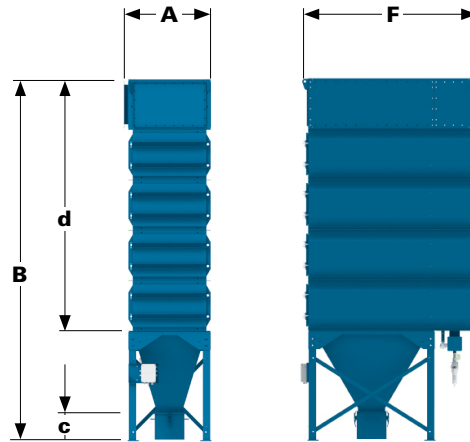
DIMENSIONS & SPECIFICATIONS - DLMC G2 - SINGLE BANK - FRONT INLET



model 1/2/16 shown with quick release dustbin (front inlet)

| Model | Number of tiers | Number of bags | Filtration area m ² | Number of valves | Inlet position | Dust disposal system | Dimensions (mm) | | | | |
|--------|-----------------|----------------|--------------------------------|------------------|----------------|------------------------|-----------------|------|------|------|------|
| | | | | | | | A | B | c | d | F |
| 1/2/16 | 2 | 16 | 25.6 | 8 | front | 200 L drum | 1117 | 4658 | 1500 | 2058 | 2385 |
| | | | | | | 80 L drum | 1117 | 4223 | 1065 | 2058 | 2385 |
| | | | | | | hook-on dustbin | 1117 | 3558 | 400 | 2058 | 2385 |
| | | | | | | quick release | 1117 | 3558 | 400 | 2058 | 2385 |
| | | | | | | rotary airlock/big bag | 1117 | 4958 | 1800 | 2058 | 2385 |
| 1/3/24 | 3 | 24 | 38.4 | 8 | front | 200 L drum | 1117 | 5344 | 1500 | 2744 | 2385 |
| | | | | | | 80 L drum | 1117 | 4909 | 1065 | 2744 | 2385 |
| | | | | | | hook-on dustbin | 1117 | 4244 | 400 | 2744 | 2385 |
| | | | | | | quick release | 1117 | 4244 | 400 | 2744 | 2385 |
| | | | | | | rotary airlock/big bag | 1117 | 5644 | 1800 | 2744 | 2385 |
| 1/4/32 | 4 | 32 | 51.2 | 8 | front | 200 L drum | 1117 | 6216 | 1500 | 3430 | 2385 |
| | | | | | | 80 L drum | 1117 | 5781 | 1065 | 3430 | 2385 |
| | | | | | | hook-on dustbin | 1117 | 5116 | 400 | 3430 | 2385 |
| | | | | | | quick release | 1117 | 5116 | 400 | 3430 | 2385 |
| | | | | | | rotary airlock/big bag | 1117 | 6516 | 1800 | 3430 | 2385 |
| 1/5/40 | 5 | 40 | 64 | 8 | front | 200 L drum | 1117 | 6902 | 1500 | 4116 | 2385 |
| | | | | | | 80 L drum | 1117 | 6467 | 1065 | 4116 | 2385 |
| | | | | | | hook-on dustbin | 1117 | 5802 | 400 | 4116 | 2385 |
| | | | | | | quick release | 1117 | 5802 | 400 | 4116 | 2385 |
| | | | | | | rotary airlock/big bag | 1117 | 7202 | 1800 | 4116 | 2385 |

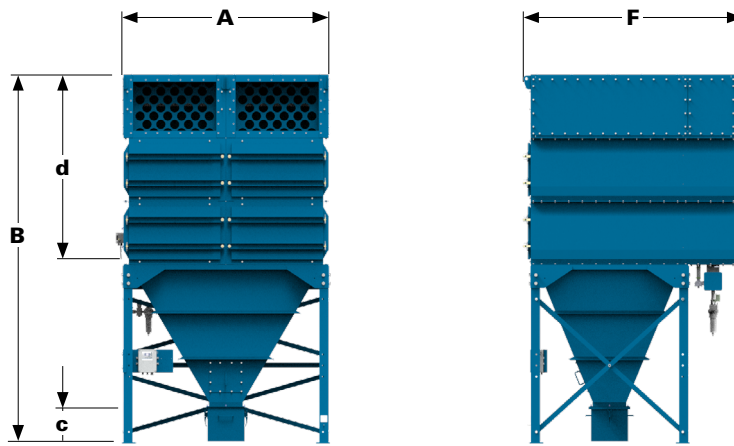
DIMENSIONS & SPECIFICATIONS - DLMC G2 - SINGLE BANK - SIDE INLET



model 1-4-32 shown with quick release dustbin (side inlet)

| Model | Number of tiers | Number of bags | Filtration area m ² | Number of valves | Inlet position | Dust disposal system | Dimensions (mm) | | | | |
|--------|-----------------|----------------|--------------------------------|------------------|----------------|------------------------|-----------------|------|------|------|------|
| | | | | | | | A | B | c | d | F |
| 1/4/32 | 4 | 32 | 38.4 | 8 | side | 200 L drum | 1178 | 6216 | 1500 | 3430 | 2385 |
| | | | | | | 80 L drum | 1178 | 5781 | 1065 | 3430 | 2385 |
| | | | | | | hook/on dustbin | 1178 | 5116 | 400 | 3430 | 2385 |
| | | | | | | quick release | 1178 | 5116 | 400 | 3430 | 2385 |
| | | | | | | rotary airlock/big bag | 1178 | 6516 | 1800 | 3430 | 2385 |
| 1/5/40 | 5 | 40 | 51.2 | 8 | side | 200 L drum | 1178 | 6902 | 1500 | 4116 | 2385 |
| | | | | | | 80 L drum | 1178 | 6467 | 1065 | 4116 | 2385 |
| | | | | | | hook/on dustbin | 1178 | 5802 | 400 | 4116 | 2385 |
| | | | | | | quick release | 1178 | 5802 | 400 | 4116 | 2385 |
| | | | | | | rotary airlock/big bag | 1178 | 7202 | 1800 | 4116 | 2385 |

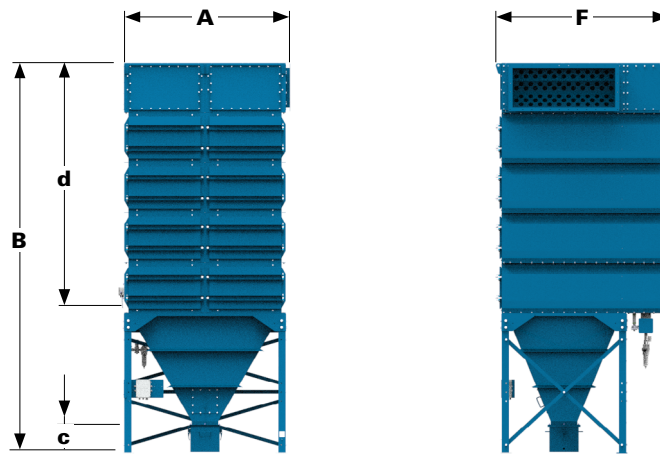
DIMENSIONS & SPECIFICATIONS - DLMC G2 - DOUBLE BANK - FRONT INLET



model 2/2/32 shown with quick release dustbin (front inlet)

| Model | Number of tiers | Number of bags | Filtration area m ² | Number of valves | Inlet position | Dust disposal system | Dimensions (mm) | | | | |
|--------|-----------------|----------------|--------------------------------|------------------|----------------|------------------------|-----------------|------|------|------|------|
| | | | | | | | A | B | c | d | F |
| 2/2/32 | 2 | 32 | 51.2 | 16 | front | 200 L drum | 2228 | 4912 | 1500 | 2058 | 2385 |
| | | | | | | 80 L drum | 2228 | 4477 | 1065 | 2058 | 2385 |
| | | | | | | hook/on dustbin | 2228 | 3812 | 400 | 2058 | 2385 |
| | | | | | | quick release | 2228 | 3812 | 400 | 2058 | 2385 |
| | | | | | | rotary airlock/big bag | 2228 | 5212 | 1800 | 2058 | 2385 |
| 2/3/48 | 3 | 48 | 76.8 | 16 | front | 200 L drum | 2228 | 5598 | 1500 | 2744 | 2385 |
| | | | | | | 80 L drum | 2228 | 5163 | 1065 | 2744 | 2385 |
| | | | | | | hook/on dustbin | 2228 | 4498 | 400 | 2744 | 2385 |
| | | | | | | quick release | 2228 | 4498 | 400 | 2744 | 2385 |
| | | | | | | rotary airlock/big bag | 2228 | 5898 | 1800 | 2744 | 2385 |
| 2/4/64 | 4 | 64 | 102.4 | 16 | front | 200 L drum | 2228 | 6470 | 1500 | 3430 | 2385 |
| | | | | | | 80 L drum | 2228 | 6035 | 1065 | 3430 | 2385 |
| | | | | | | hook/on dustbin | 2228 | 5370 | 400 | 3430 | 2385 |
| | | | | | | quick release | 2228 | 5370 | 400 | 3430 | 2385 |
| | | | | | | rotary airlock/big bag | 2228 | 6770 | 1800 | 3430 | 2385 |
| 2/5/80 | 5 | 80 | 128 | 16 | front | 200 L drum | 2228 | 7156 | 1500 | 4116 | 2385 |
| | | | | | | 80 L drum | 2228 | 6721 | 1065 | 4116 | 2385 |
| | | | | | | hook/on dustbin | 2228 | 6056 | 400 | 4116 | 2385 |
| | | | | | | quick release | 2228 | 6056 | 400 | 4116 | 2385 |
| | | | | | | rotary airlock/big bag | 2228 | 7456 | 1800 | 4116 | 2385 |

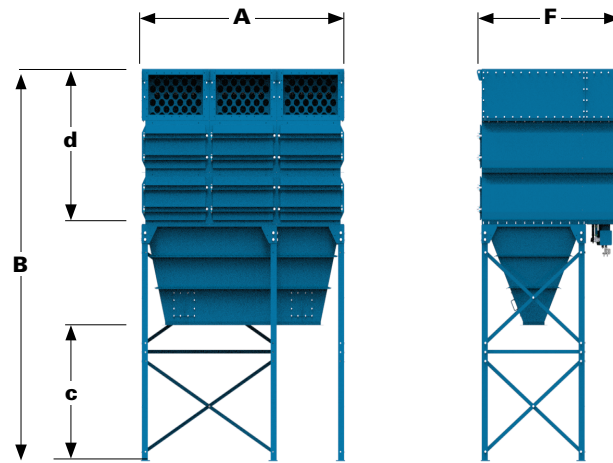
DIMENSIONS & SPECIFICATIONS - DLMC G2 - DOUBLE BANK - SIDE INLET



model 2/4/64 shown with quick release dustbin (side inlet)

| Model | Number of tiers | Number of bags | Filtration area m ² | Number of valves | Inlet position | Dust disposal system | Dimensions (mm) | | | | |
|--------|-----------------|----------------|--------------------------------|------------------|----------------|------------------------|-----------------|------|------|------|------|
| | | | | | | | A | B | c | d | F |
| 2/4/64 | 4 | 64 | 102.4 | 16 | side | 200 L drum | 2284 | 6470 | 1500 | 3430 | 2385 |
| | | | | | | 80 L drum | 2284 | 6035 | 1065 | 3430 | 2385 |
| | | | | | | hook/on dustbin | 2284 | 5370 | 400 | 3430 | 2385 |
| | | | | | | quick release | 2284 | 5370 | 400 | 3430 | 2385 |
| | | | | | | rotary airlock/big bag | 2284 | 6770 | 1800 | 3430 | 2385 |
| 2/5/80 | 5 | 80 | 128 | 16 | side | 200 L drum | 2284 | 7156 | 1500 | 4116 | 2385 |
| | | | | | | 80 L drum | 2284 | 6721 | 1065 | 4116 | 2385 |
| | | | | | | hook/on dustbin | 2284 | 6056 | 400 | 4116 | 2385 |
| | | | | | | quick release | 2284 | 6056 | 400 | 4116 | 2385 |
| | | | | | | rotary airlock/big bag | 2284 | 7456 | 1800 | 4116 | 2385 |

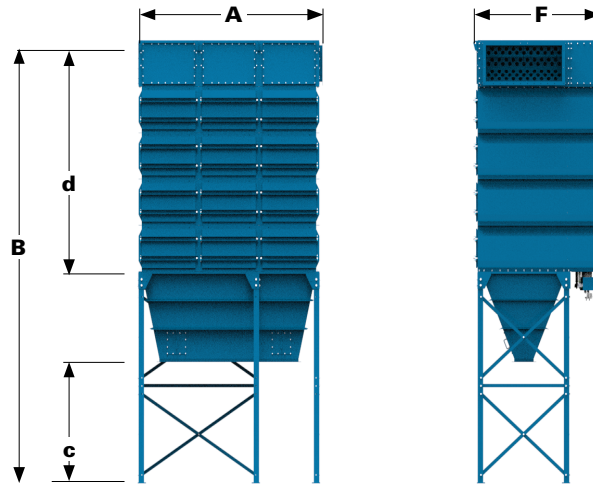
DIMENSIONS & SPECIFICATIONS - DLMC G2 - TRIPLE BANK - FRONT INLET



model 3/2/48 shown with quick release dustbin (front inlet)

| Model | Number of tiers | Number of bags | Filtration area m ² | Number of valves | Inlet position | Hopper clearance (mm) / dimension c | Dimensions (mm) | | | |
|---------|-----------------|----------------|--------------------------------|------------------|----------------|-------------------------------------|-----------------|------|------|------|
| | | | | | | | A | B | d | F |
| 3/2/48 | 2 | 48 | 76.8 | 24 | front | 1800 | 3339 | 5012 | 2058 | 2385 |
| | | | | | | 1500 | 3339 | 4712 | 2058 | 2385 |
| | | | | | | 1065 | 3339 | 4277 | 2058 | 2385 |
| | | | | | | 400 | 3339 | 3612 | 2058 | 2385 |
| 3/3/72 | 3 | 72 | 115.2 | 24 | front | 1800 | 3339 | 5698 | 2744 | 2385 |
| | | | | | | 1500 | 3339 | 5398 | 2744 | 2385 |
| | | | | | | 1065 | 3339 | 4963 | 2744 | 2385 |
| | | | | | | 400 | 3339 | 4298 | 2744 | 2385 |
| 3/4/96 | 4 | 96 | 153.6 | 24 | front | 1800 | 3339 | 6570 | 3430 | 2385 |
| | | | | | | 1500 | 3339 | 6270 | 3430 | 2385 |
| | | | | | | 1065 | 3339 | 5835 | 3430 | 2385 |
| | | | | | | 400 | 3339 | 5170 | 3430 | 2385 |
| 3/5/120 | 5 | 120 | 192 | 24 | front | 1800 | 3339 | 7256 | 4116 | 2385 |
| | | | | | | 1500 | 3339 | 6956 | 4116 | 2385 |
| | | | | | | 1065 | 3339 | 6521 | 4116 | 2385 |
| | | | | | | 400 | 3339 | 5856 | 4116 | 2385 |

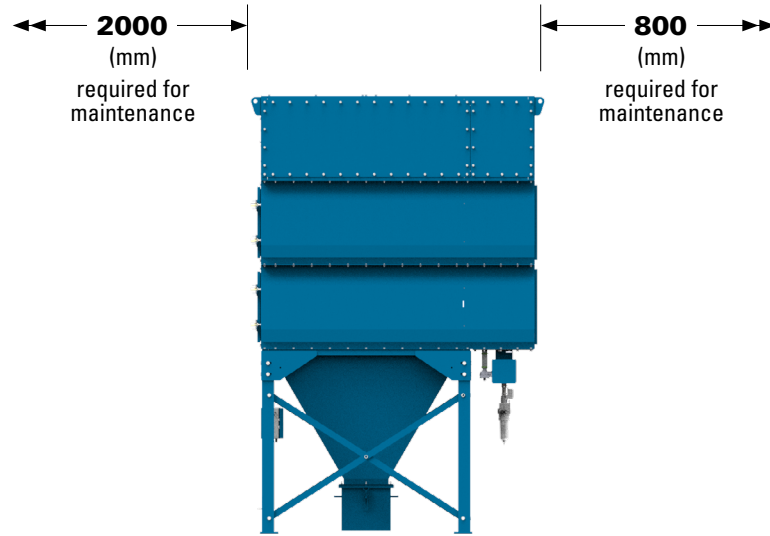
DIMENSIONS & SPECIFICATIONS - DLMC G2 - TRIPLE BANK - SIDE INLET



model 3/2/48 shown with quick release dustbin (front inlet)

| Model | Number of tiers | Number of bags | Filtration area m ² | Number of valves | Inlet position | Hopper clearance (mm) / dimension c | Dimensions (mm) | | | |
|---------|-----------------|----------------|--------------------------------|------------------|----------------|-------------------------------------|-----------------|------|------|------|
| | | | | | | | A | B | d | F |
| 3/4/96 | 4 | 96 | 153.6 | 24 | side | 1800 | 3399 | 6570 | 3430 | 2385 |
| | | | | | | 1500 | 3399 | 6270 | 3430 | 2385 |
| | | | | | | 1065 | 3399 | 5835 | 3430 | 2385 |
| | | | | | | 400 | 3399 | 5170 | 3430 | 2385 |
| 3/5/120 | 5 | 120 | 192 | 24 | side | 1800 | 3399 | 7256 | 4116 | 2385 |
| | | | | | | 1500 | 3399 | 6956 | 4116 | 2385 |
| | | | | | | 1065 | 3399 | 6521 | 4116 | 2385 |
| | | | | | | 400 | 3399 | 5856 | 4116 | 2385 |

COLLECTOR WEIGHTS



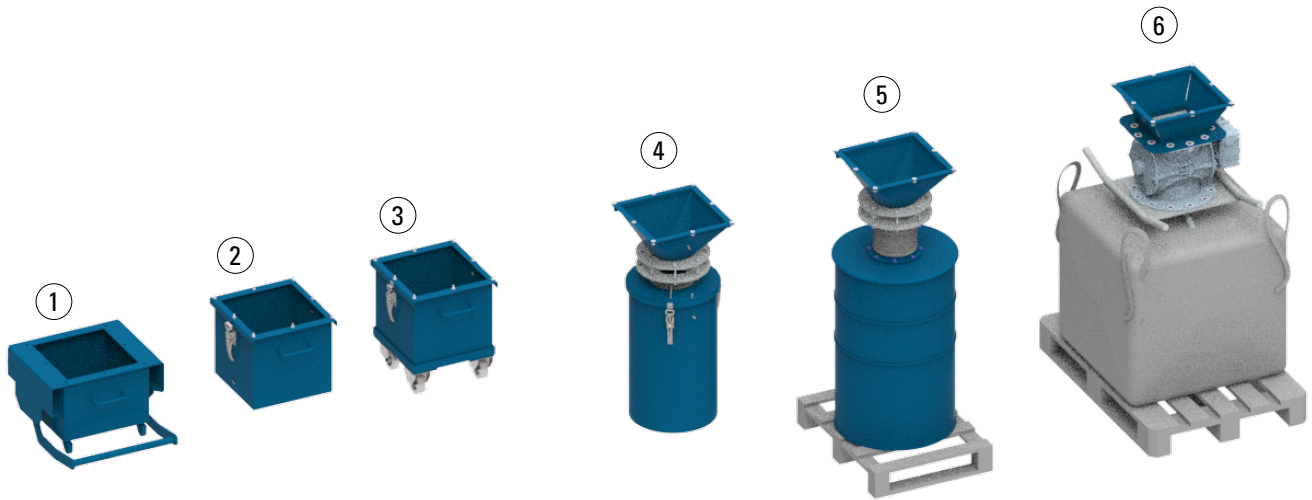
SIDE VIEW

| Model | Type | Approx. shipping weight (kg) |
|--------------|---------|------------------------------|
| Single bank | 1/2/16 | 932 |
| | 1/3/24 | 1165 |
| | 1/4/32 | 1464 |
| | 1/5/40 | 1719 |
| Double banks | 2/2/32 | 1682 |
| | 2/3/48 | 2162 |
| | 2/4/64 | 2700 |
| | 2/5/80 | 3178 |
| Triple banks | 3/2/48 | 2525 |
| | 3/3/72 | 3221 |
| | 3/4/96 | 3927 |
| | 3/5/120 | 4622 |

Weights include filter bag and are for collectors prior to first use, i.e. with no dust collected.

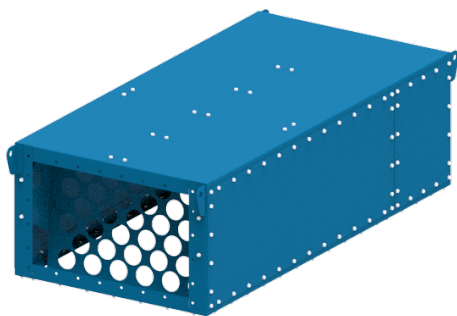
Excludes shipped loose items like legs and dust disposal system.

DUST DISPOSAL OPTIONS

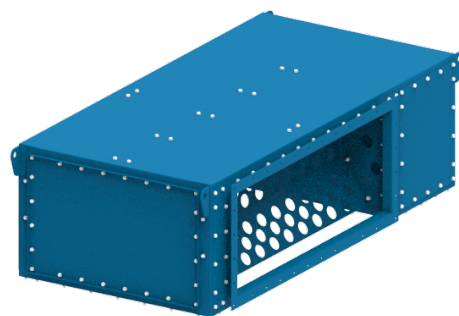


| Dust disposal options | Hopper clearance (in mm) | Approx. weight (in kg) |
|--|--------------------------|------------------------|
| ① quick release dust bin | 400 | 40 |
| ② hook-on dust bin | 400 | 22 |
| ③ hook-on dust bin with castor wheels | 400 | 22 |
| ④ 85 L drum | 1065 | 15 |
| ⑤ 200 L drum | 1500 | 40 |
| ⑥ Big-bag (excluding bag and rotary airlock) | 1800 | 18 |

INLET OPTIONS

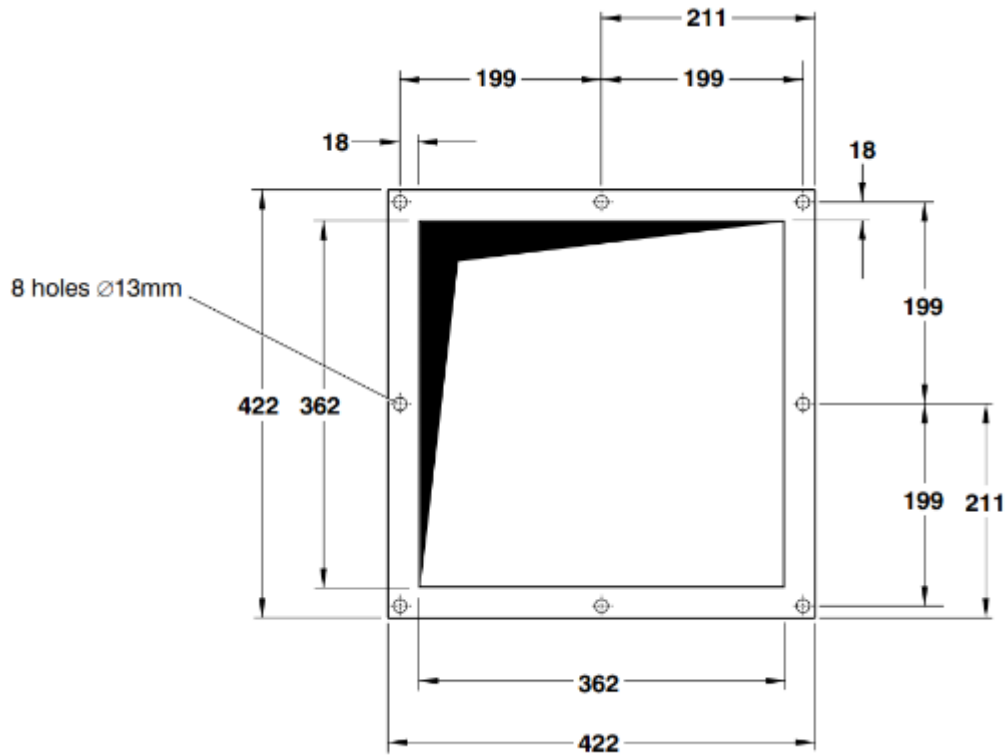


FRONT INLET

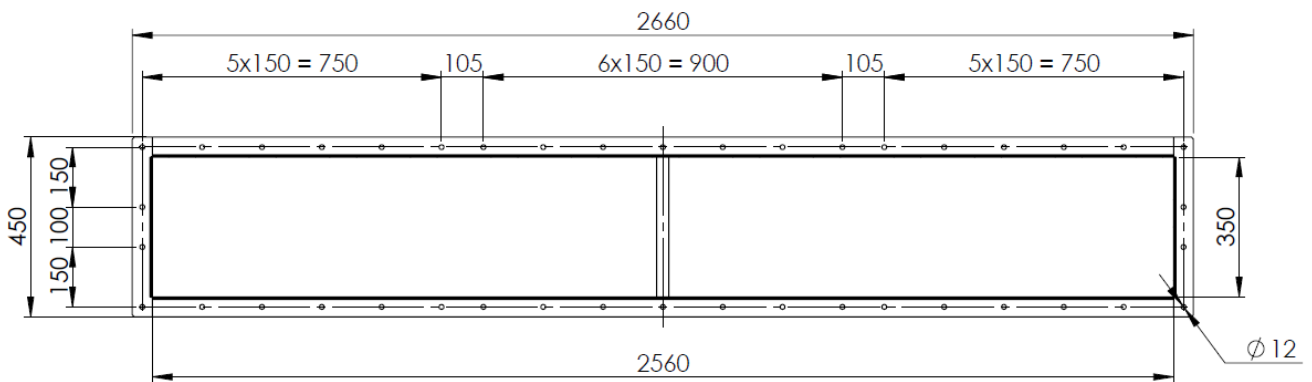


SIDE INLET

HOPPER OUTLET FLANGE DETAILS

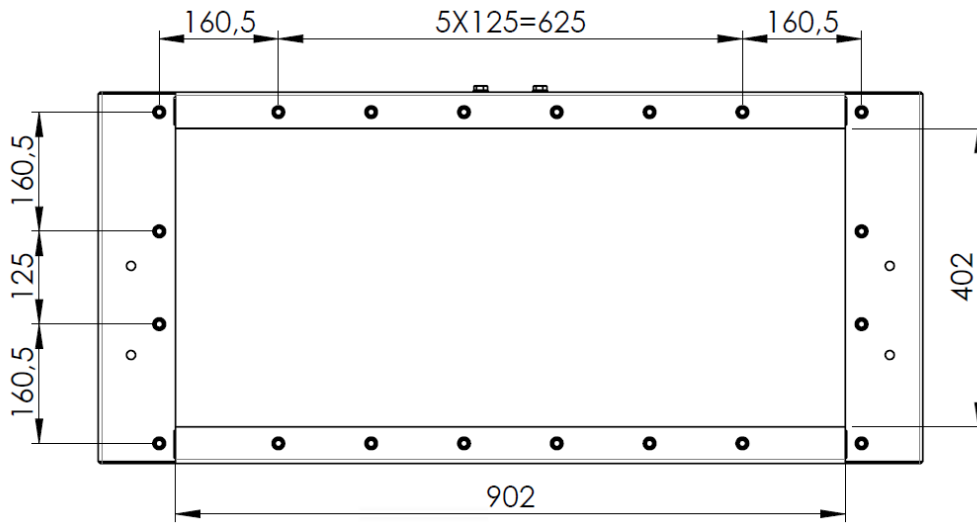


1 bank and 2 banks



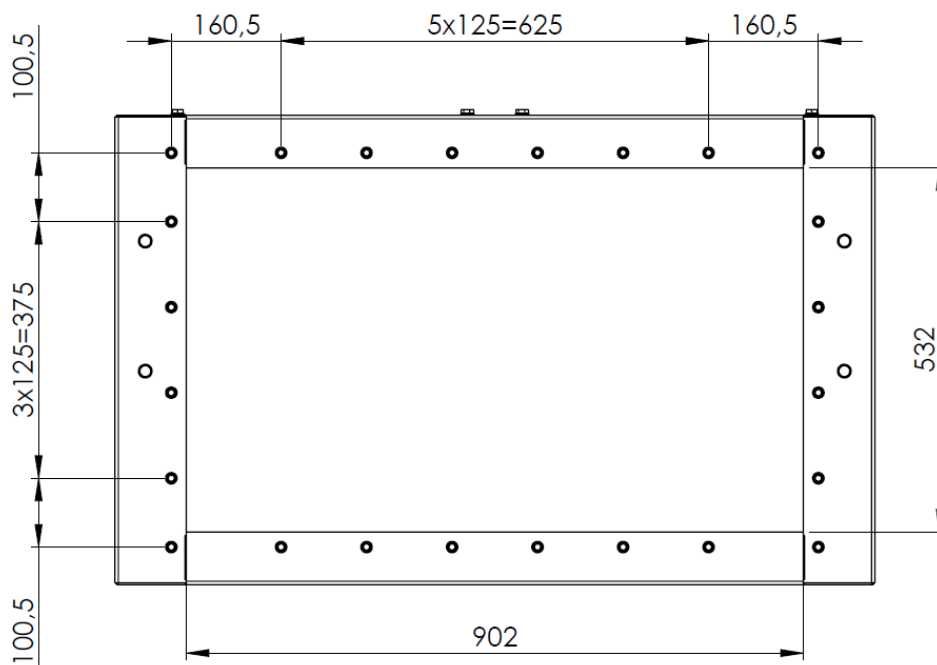
3 banks

INLET & OUTLET DETAILS



Rear contaminated air inlet and front cleaned air outlet for 2- and 3-tier collectors

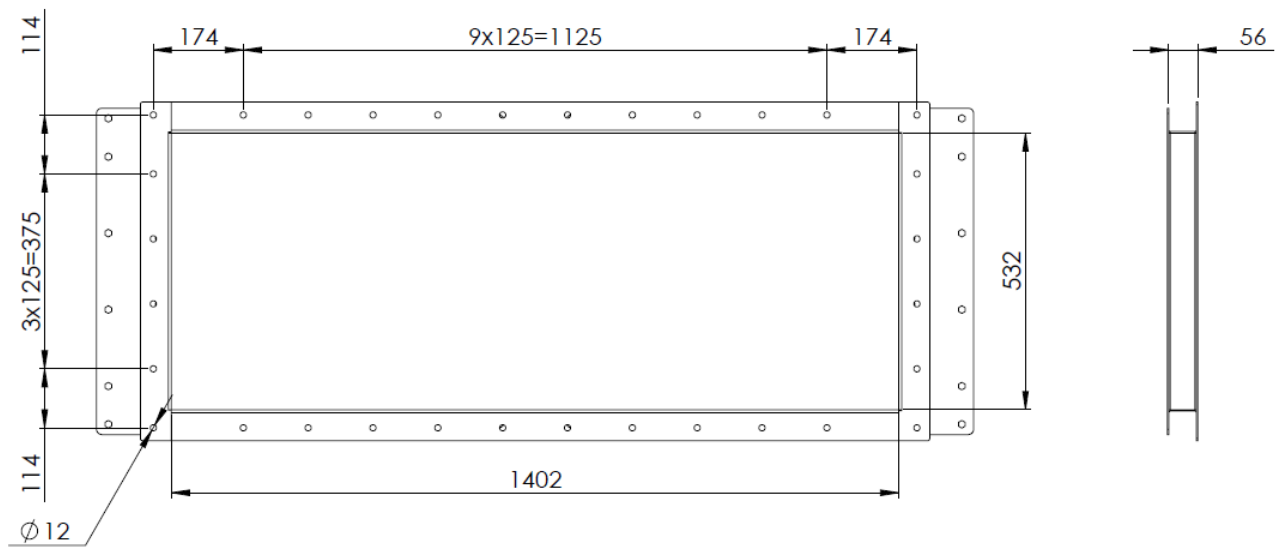
All bolt holes fitted with M10 rivnuts



Rear contaminated air inlet and front cleaned air outlet for 4- and 5-tier collectors

All bolt holes fitted with M10 rivnuts

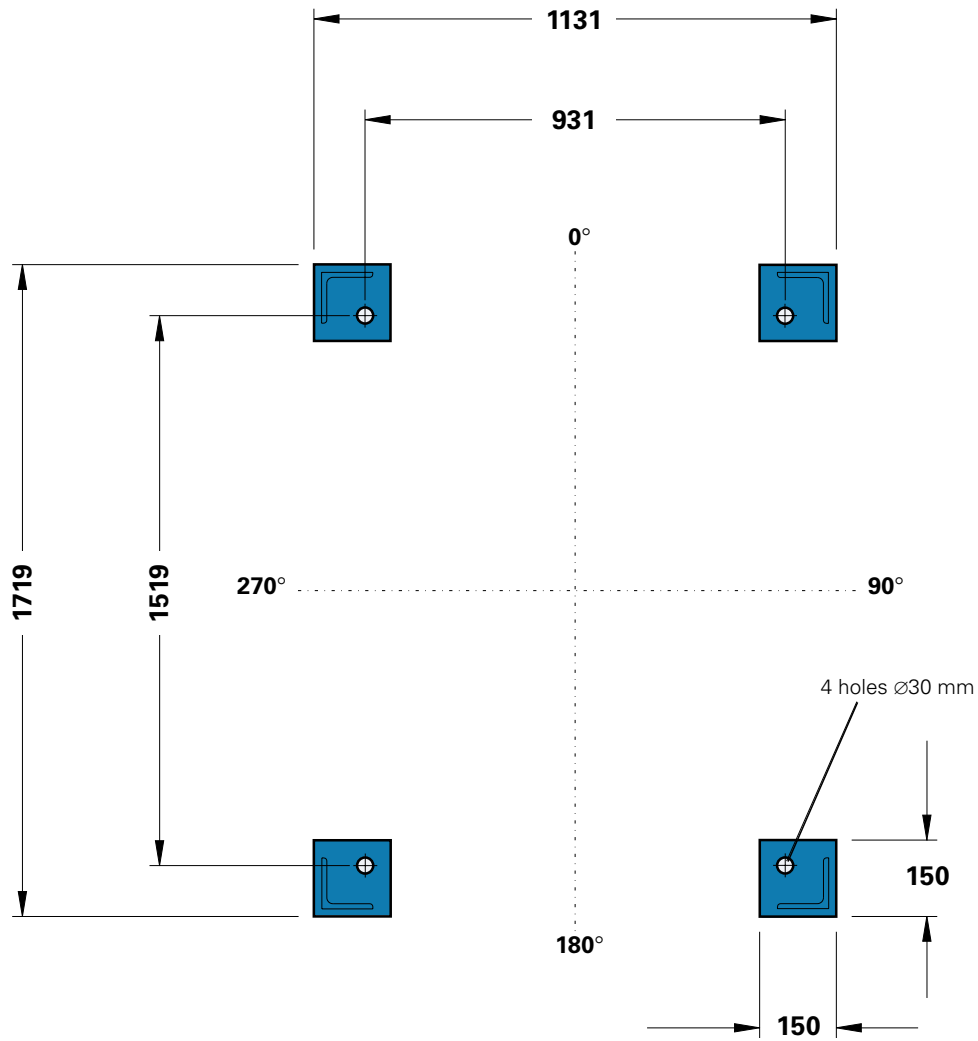
INLET & OUTLET DETAILS



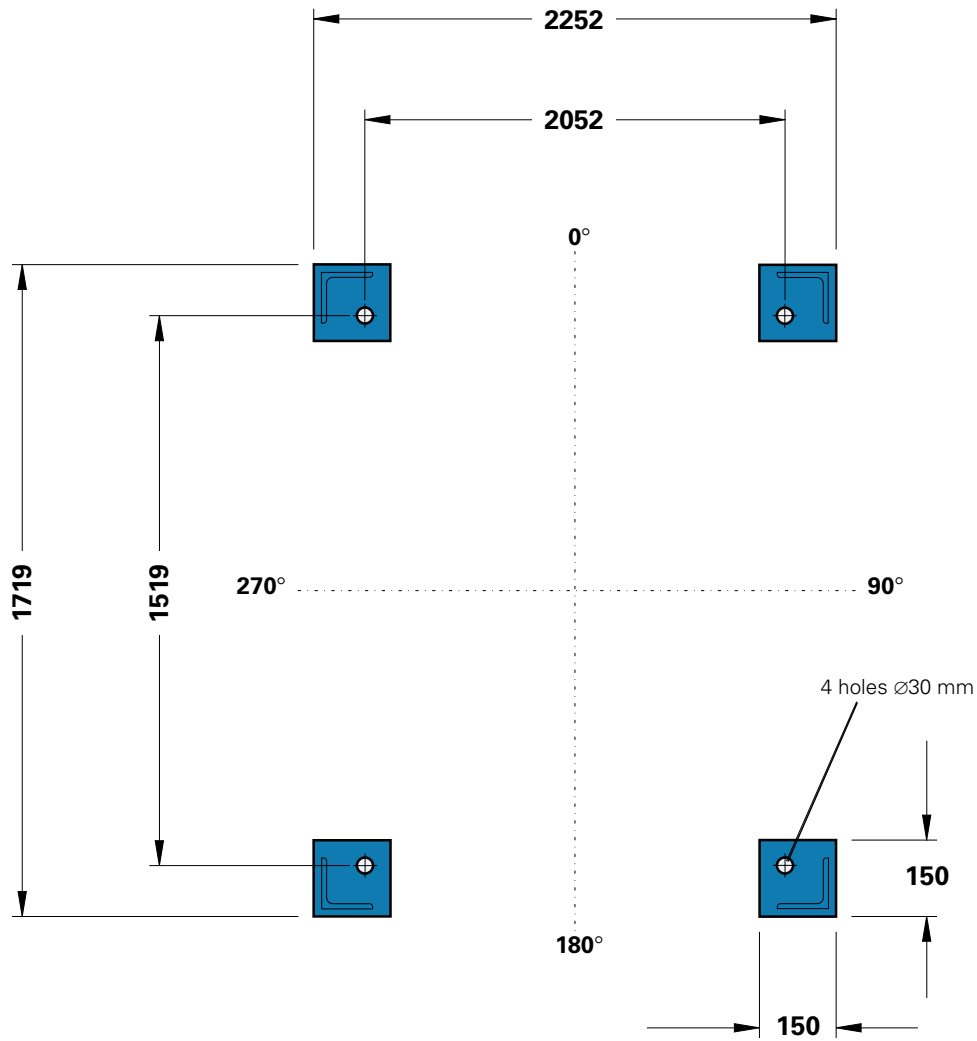
Optional side contaminated air inlet for 4- and 5-tier collectors

All bolt holes fitted with M10 rivnuts

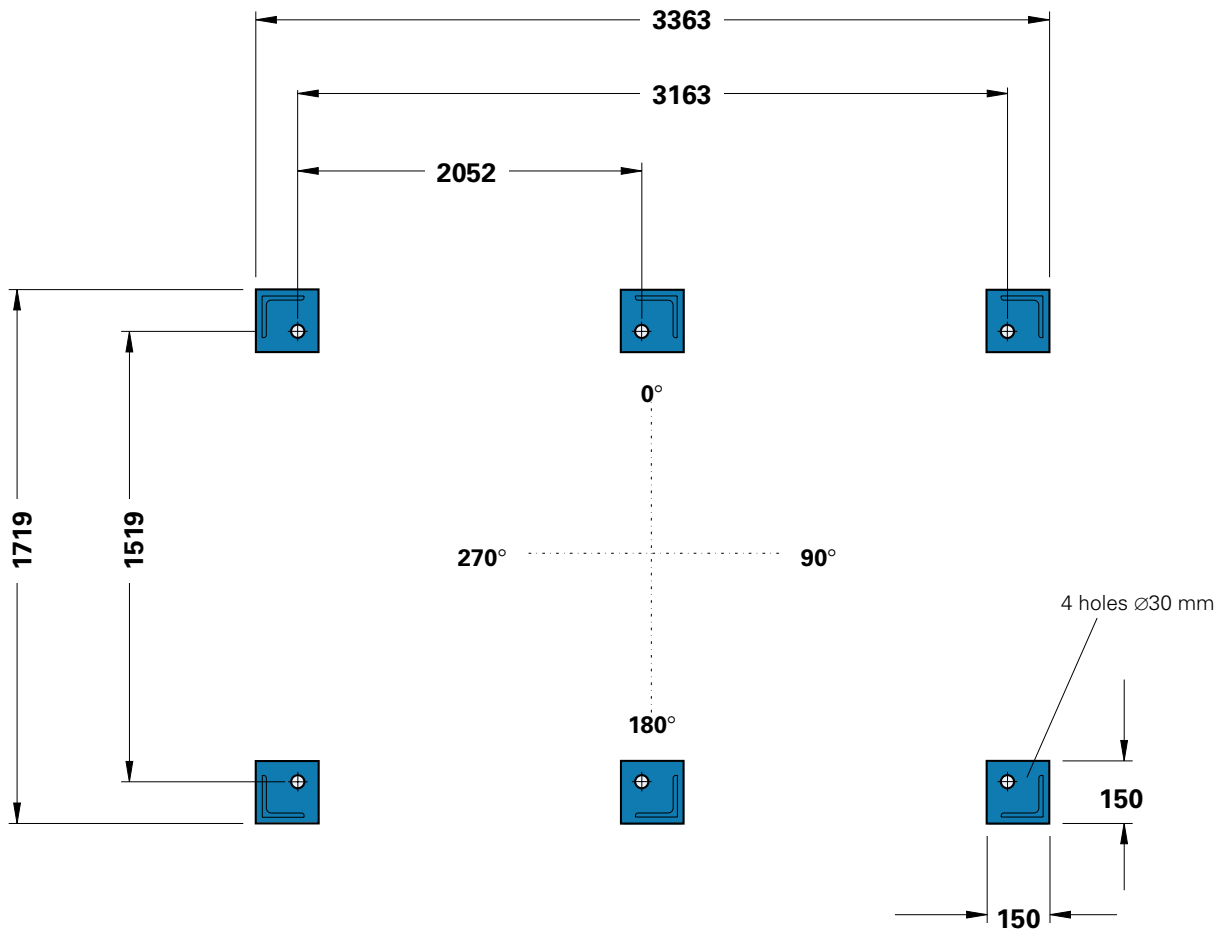
FOUNDATION DETAILS - DLMC G2 SINGLE BANK (IN MM)



FOUNDATION DETAILS - DLMC G2 DOUBLE BANK (IN MM)



FOUNDATION DETAILS - DLMC G2 TRIPLE BANK (IN MM)



ELECTRICAL REQUIREMENTS

Fully automatic cleaning mechanism: Autel ECO-GRAPHIC
Pulse interval time: 12 s
Control box protection class: IP65
Input voltage: 230 / 115 VAC - 24 VD

COMPRESSED AIR REQUIREMENTS

| Model | Working compressed air pressure ^a | | Atmospheric air volume - F.A.D. at 12 sec. intervals ^b | | Pulse duration | Minimum pipe diameter |
|---------------|--|---------|---|----------|----------------|-----------------------|
| 1-bank | | | | | | |
| G2 1/2/16 | 3,4 bar | 50 psig | 8.5 m ³ /h | 5.0 cfm | 100 ms | ½" NB (12) |
| G2 1/3/24 | 3,8 bar | 55 psig | 11.4 m ³ /h | 6.7 cfm | 100 ms | ½" NB (12) |
| G2 1/4/32 | 5,2 bar | 75 psig | 15.0 m ³ /h | 8.8 cfm | 100 ms | ¾" NB (20) |
| G2 1/5/40 | 5,2 bar | 75 psig | 15.0 m ³ /h | 8.8 cfm | 100 ms | ¾" NB (20) |
| 2-bank | | | | | | |
| G2 2/2/32 | 3,4 bar | 50 psig | 17.0 m ³ /h | 10.0 cfm | 100 ms | ¾" NB (20) |
| G2 2/3/48 | 3,8 bar | 55 psig | 22.8 m ³ /h | 13.4 cfm | 100 ms | ¾" NB (20) |
| G2 2/4/64 | 5,2 bar | 75 psig | 30.0 m ³ /h | 17.6 cfm | 100 ms | 1" NB (25) |
| G2 2/5/80 | 5,2 bar | 75 psig | 30.0 m ³ /h | 17.6 cfm | 100 ms | 1" NB (25) |
| 3-bank | | | | | | |
| G2 3/2/48 | 3,4 bar | 50 psig | 25.5 m ³ /h | 15.0 cfm | 100 ms | ¾" NB (20) |
| G2 3/3/72 | 3,8 bar | 55 psig | 34.2 m ³ /h | 20.1 cfm | 100 ms | 1" NB (25) |
| G2 3/4/96 | 5,2 bar | 75 psig | 45.0 m ³ /h | 26.4 cfm | 100 ms | 1" NB (25) |
| G2 3/5/120 | 5,2 bar | 75 psig | 45.0 m ³ /h | 26.4 cfm | 100 ms | 1" NB (25) |

^a Normal operating pressure. ^b Recommended initial settings; these may be varied with experience.

^c Sizes suitable for runs of pipe up to 30 m (100ft) in length; for longer runs consult with Donaldson.

1 bar = 10⁵ Pa

STANDARD FEATURES & AVAILABLE OPTIONS

| Unit options | Optional |
|--|----------|
| Execution for outside installation | • |
| Variable hopper clearance | • |
| Full range of dust disposal systems | • |
| Earthing | • |
| Vibrator | • |
| Sprinkler | • |
| Bin balance pipe kit | • |
| Oil/water separator | • |
| Full range of fan sets and ducting | • |
| Insulation | • |
| DFS Feeder for the absorption of oily substances | • |
| Platform | • |
| Inline Cyclone | • |
| iCue | • |

| Filter bag options | Standard | Optional |
|--------------------------------|----------|----------|
| Duralife | • | |
| Duralife Oleophobic | | • |
| Duralife AntiStatic | | • |
| Duralife Oleophobic AntiStatic | | • |
| Tetratex | | • |
| Tetratex AntiStatic | | • |
| Tetratex AntiStatic Contact | | • |
| Tetratex Contact | | • |

- Africa** Donaldson Europe B.V.B.A.
Industrial Filtration Solutions
Research Parc Bldg No. 1303
Interleuvenlaan, 1
B-3001 Leuven
Belgium
IAF-africa@donaldson.com +32 16 38 39 70
- Austria** Donaldson Filtration Österreich GmbH
Gutheil-Schoder Gasse 8-12
A-1100 Wien
Österreich
IAFat@donaldson.com +43 16 16 52 91
- Belgium** Donaldson Europe B.V.B.A.
Industrial Filtration Solutions
Research Parc Bldg No. 1303
Interleuvenlaan, 1
B-3001 Leuven
België
IAF-be@donaldson.com +32 16 38 39 70
- Czech Republic** Donaldson Filtration CR - koncern s.r.o.
Konevova 139
CZ-130 83 Praha 3
Ceská republika
IAF-cz@donaldson.com +420 2 67 108 242
- Denmark** Donaldson Scandinavia ApS
Lyngsø Allé 3A
DK - 2970 Hørsholm
Danmark
IAF-dk@donaldson.com +45 45 57 00 77
- Finland** Donaldson Scandinavia ApS
Lyngsø Allé 3A
DK - 2970 Hørsholm
Danmark
IAF-fi@donaldson.com +45 45 57 00 77
- France** Donaldson France s.a.s.
33 Rue des Vanesses
Zac Paris Nord II B.P. 51292 Villepinte
F-95958 Roissy
Charles de Gaulle Cedex
France
IAF-fr@donaldson.com +33 1 49 38 99 30
- Germany** Industrial Filtration Solutions
Industriestraße 11
D-48249 Dülmen
Deutschland
IAF-de@donaldson.com + 49 2594 781-41
- Hungary** Donaldson Filtration Magyarország Kft.
Záhony u. 7.
H-1031 Budapest
Magyarország
IAF-hu@donaldson.com +36 1 453 28 65/66
- Ireland** Donaldson Filtration (GB) Ltd.
Suite 31, The Hyde Building The Park
Carrickmines, Dublin 18
Ireland
IAF-ie@donaldson.com +353 1 525 22 49
- Italy** Donaldson Italia S.r.l.
Via Cesare Pavese, 5/7
20090 Opera (Milan)
Italia
IAF-it@donaldson.com +39 0 25 30 05 21
- Middle East** Donaldson Europe B.V.B.A.
Office 1905
Jebel Ali Free Zone
Dubai
United Arab Emirates
IAF-middle-east@donaldson.com +971 4 885 5311
- Netherlands** Donaldson Nederland B.V.
Transistorstraat 44 III
NL-1322 CG Almere
Nederland
IAF-nl@donaldson.com +31 36 548 08 40
- Norway** Donaldson Filtration Norway AS
Postboks 196
N-1501 Moss
Norge
IAF-no@donaldson.com +47 69 21 53 00
- Poland** Donaldson Polska Sp.zo. o.
ul. Sienna 64
PL-00-825 Warszawa
Polska
IAF-pl@donaldson.com +48 22 517 15 00
- Russia** Predstavitelstvo AOOO Donaldson Nederland B.V.
Centr Meždunarodnoj Torgovli
Ofis 1004V, Krasnopresnenskaja nab.12
123610 Moskva
Russia
IAF-ru@donaldson.com +7 499 136 00 13
- Slovakia** Donaldson Filtration Slovensko s.r.o.
Púchovská 8
SK-83106 Bratislava 35
Slovensko
IAF-sk@donaldson.com +421 2 44872619
- Spain** Donaldson Ibérica, Soluciones en Filtración, S.L.
Colom, 391 - 3ªA
E-08223 Terrassa
España
IAF-es@donaldson.com +34 93 784 38 34
- Sweden** Donaldson Scandinavia
Industrigatan 68
S-261 35 Landskrona
Sverige
IAF-se@donaldson.com +46 418 457 550
- Switzerland** Donaldson Schweiz GmbH
Bruggacherstrasse 18
CH-8117 Fällanden
Schweiz
IAF-ch@donaldson.com +41 (0)44 302 07 15
- Turkey** Donaldson Filtre Sist. Tic. Ltd. Sti.
Barbaros Mahallesi Palladium Tower No:2 Kat:10
34746 Ataşehir / Istanbul
Türkiye
IAF-tr@donaldson.com +90 216 687 03 26
- United Kingdom** Donaldson Filtration (GB) Ltd.
Humberstone Lane Thurmaston
Leicester LE4 8HP
United Kingdom
IAF-uk@donaldson.com +44 116 269 6161
- Other countries** Donaldson Filtration (GB) Ltd.
Humberstone Lane Thurmaston
Leicester LE4 8HP
United Kingdom
IAF-export@donaldson.com +44 116 269 6161

Order online



shop.Donaldson.com